

Technical Data

ROMA



maestre

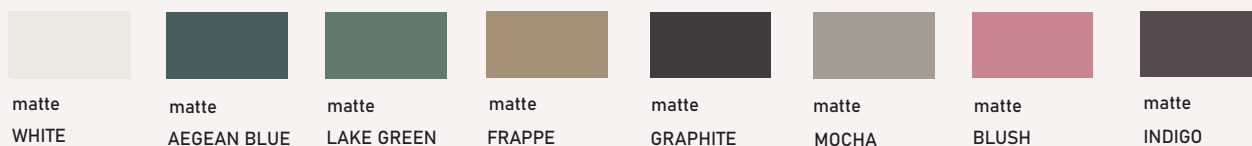
BAÑOS



AVAILABLE MODELS



FRONT FINISHES



TECHNICAL SPECIFICATIONS

Structure: Made of 16 mm particle board with desert melamine.

Front: Made of 19mm MDF board in matte lacquer.

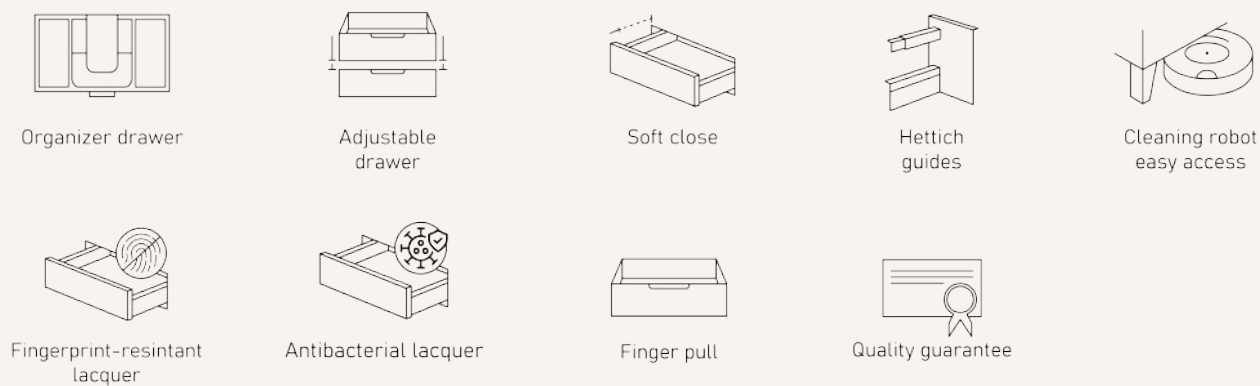
Handles: Finger pull milled into the front.

Mounting:

*Wall- hung: Includes 2 metal hangers for horizontal and vertical regulation.

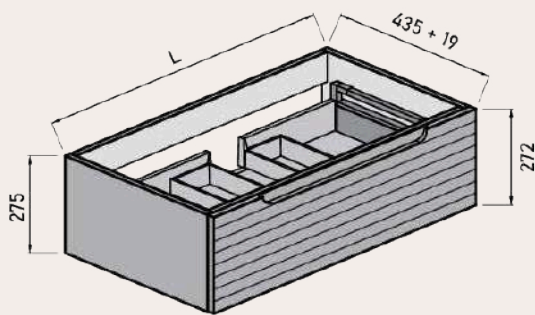
*Floor- standing: Includes 1 bag of 4 legs and screws. The finish of the legs is the same as the unit structure.

FEATURES

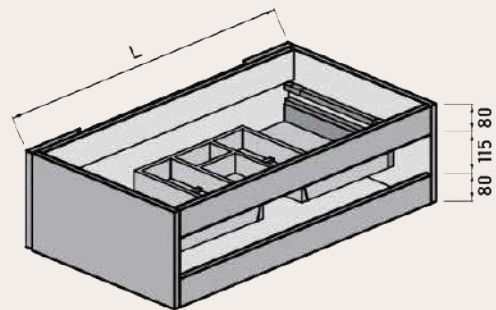


AVAILABLE MEASUREMENTS FOR FURNITURE OF 1 DRAWER (cm)

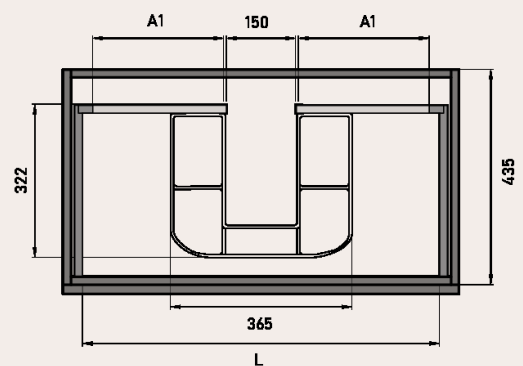
Front view



Back view



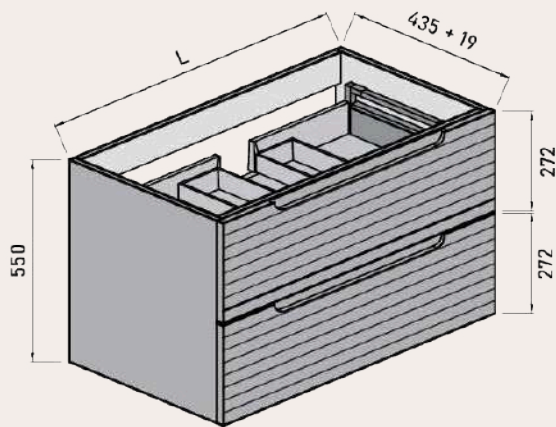
Upper drawer



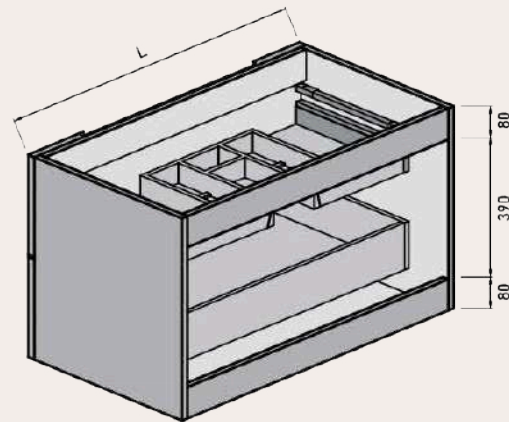
	WIDTH	L	A1
UNIT	60	491	165
UNIT	80	691	265
UNIT	100	891	365

AVAILABLE MEASUREMENTS FOR FURNITURE OF 2 DRAWERS (cm)

Front view

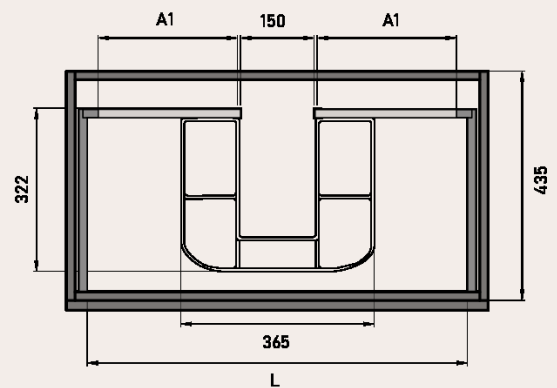


Back view



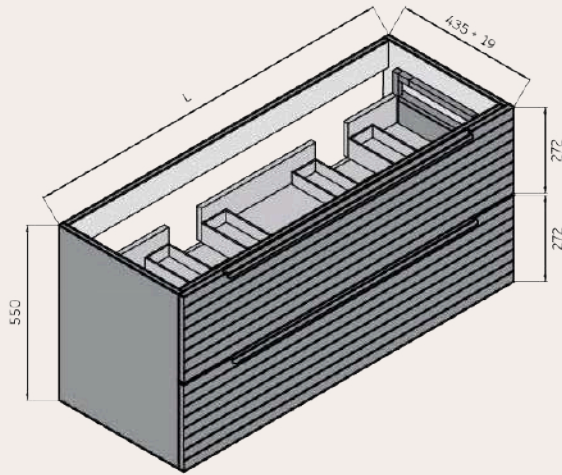
Upper drawer

	WIDTH	L	A1
UNIT	60	491	165
UNIT	70	591	215
UNIT	80	691	265
UNIT	100	891	365
UNIT	120	991	465

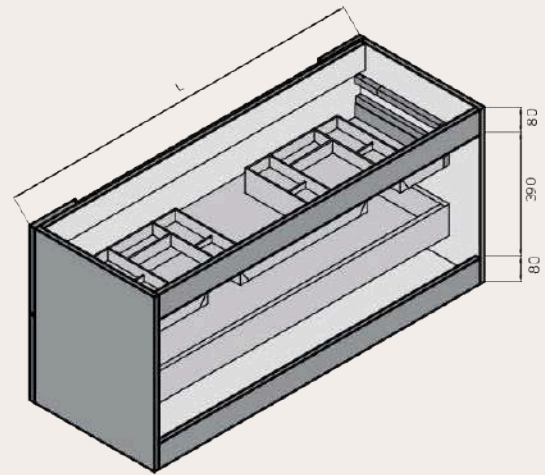


AVAILABLE MEASUREMENTS FOR FURNITURE OF 2 DRAWERS AND 2 SINKS (cm)

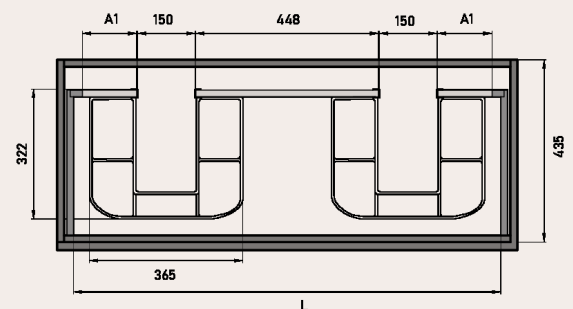
Front view



Back view



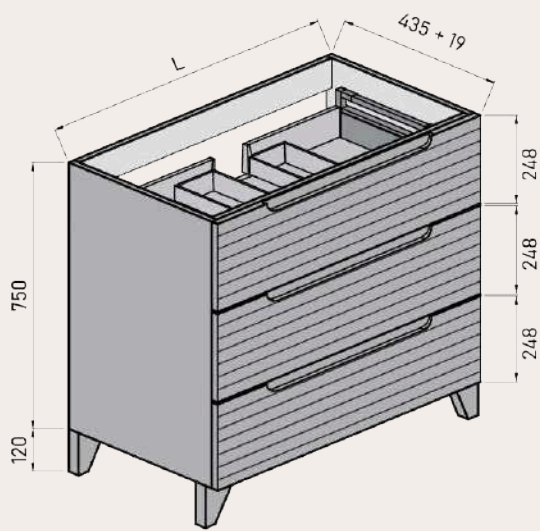
Upper drawer



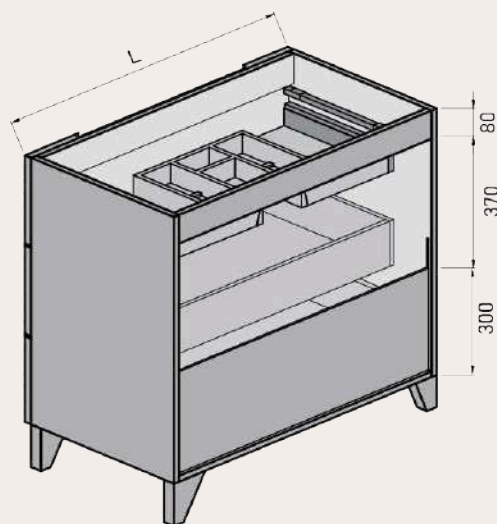
	WIDTH	L	A1
UNIT	120	991	125
TWIN BOWL			

AVAILABLE MEASUREMENTS FOR FURNITURE OF 3 DRAWERS (cm)

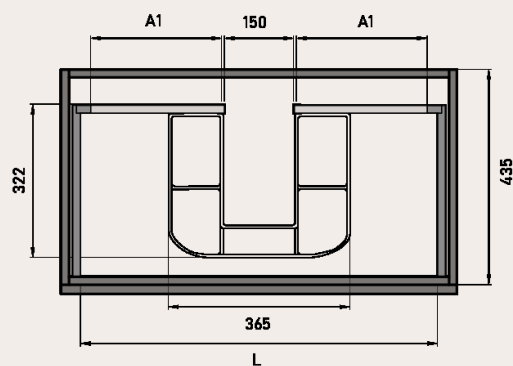
Front view



Back view



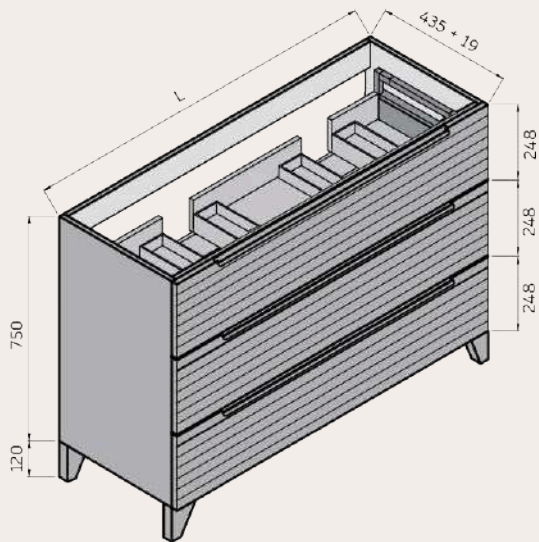
Upper drawer



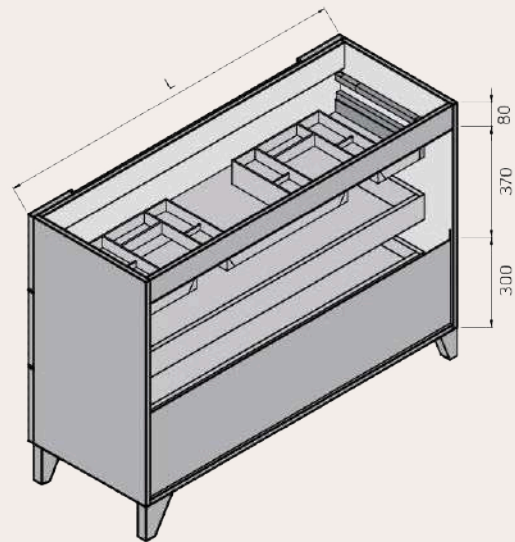
	WIDTH	L	A1
UNIT 60	60	491	165
UNIT 70	70	591	265
UNIT 80	80	691	265
UNIT 100	100	891	365
UNIT 120	120	991	465

AVAILABLE MEASUREMENTS FOR FURNITURE OF 3 DRAWERS AND 2 SINKS (cm)

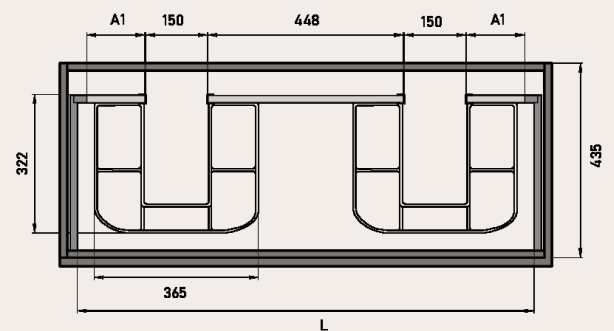
Front view



Back view



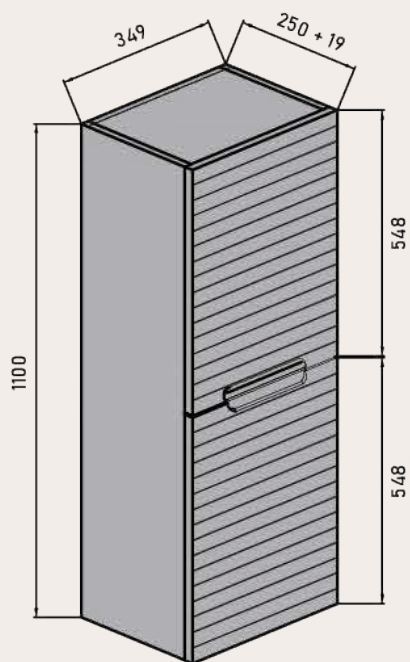
Upper drawer



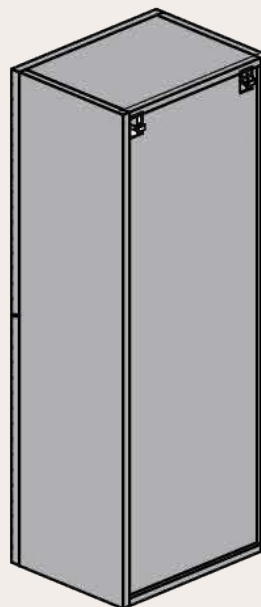
	WIDTH	L	A1
UNIT	120	991	125
TWIN BOWL			

AVAILABLE MEASUREMENTS FOR SEMI-COLUMN (cm)

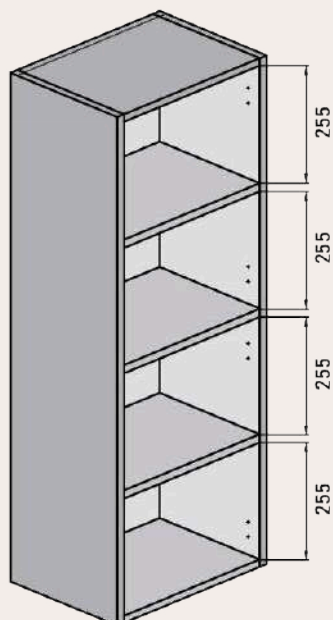
Front view



Back view

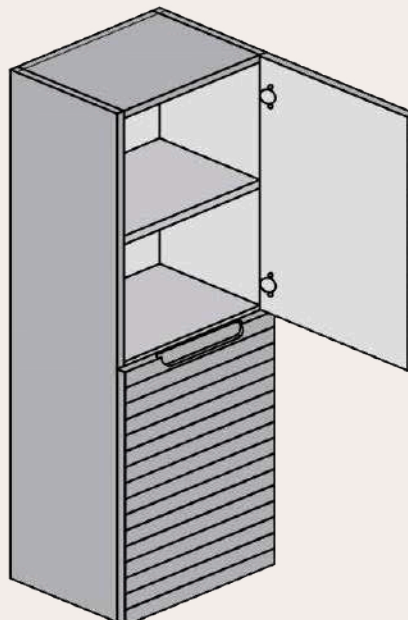


Front view (fixed shelves)



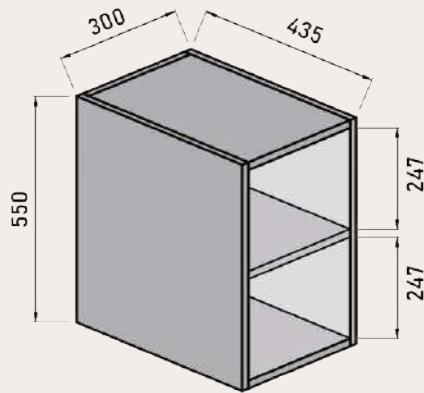
Front view (interior)

* The customer can change the door opening direction to the left.

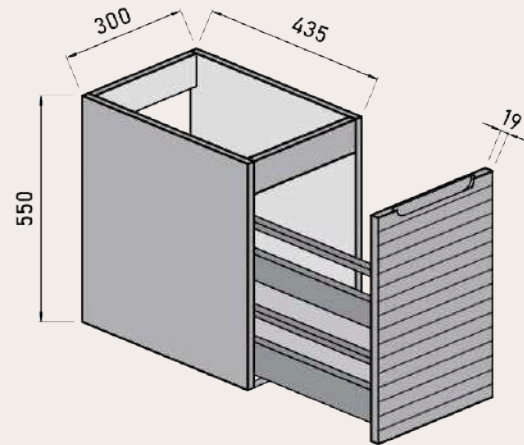


AVAILABLE MEASUREMENTS FOR **MODUL** (cm)

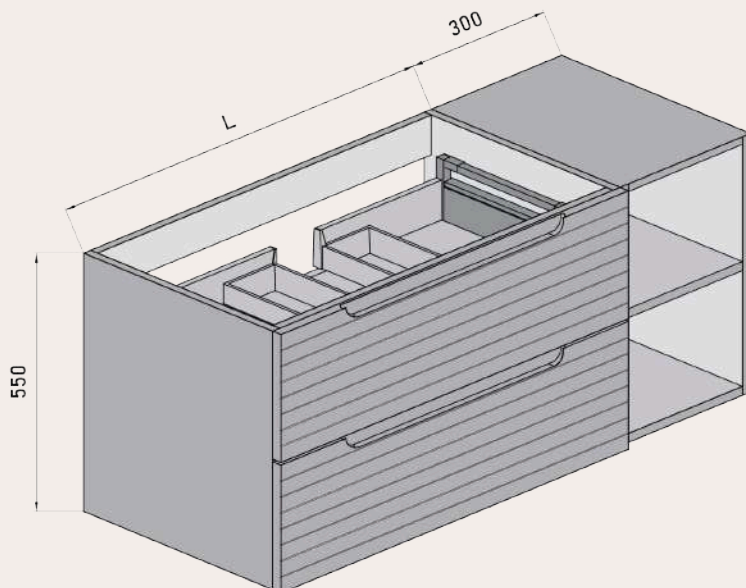
Shelf module: **Front view (fixed shelf)**



Pull - out drawer module: **Front view**



Front view **FURNITURE PLUS SHELF MODULE**





WWW.MAESTREBANOS.COM

Polígono Industrial Cabezuelo 2
13440, Argamasilla de Calatrava (Ciudad Real)
926 44 25 24
maestrebamos@maestrebamos.com



La marca de la
gestión forestal
responsable