

Technical Data

NÓRDICO



maestre

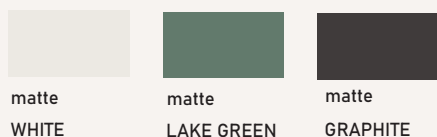
BAÑOS



AVAILABLE MODELS



FRONT FINISHES



TECHNICAL SPECIFICATIONS

Structure: Made of 16 mm particle board in light Locksley melamine.

Front: Made of 16 mm particle board in matte lacquered.

Handle: 150 mm embedded ABS handle, in shiny chrome.

Mandatory mounting:

*Wall- hung / Floor- standing: **MANDATORY** wall fixing for both options.

Includes 2 metal hangers for horizontal and vertical regulation.

(Bag with 4 legs included inside the furniture, whose placement will be optional and merely decorative).

The finish of the legs is the same as that the structure

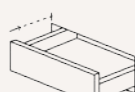
FEATURES



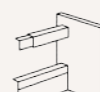
Organizer drawer



Adjustable drawer



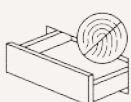
Soft close



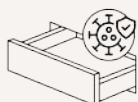
Hettich guides



Cleaning robot easy access



Fingerprint-resistant lacquer



Antibacterial lacquer



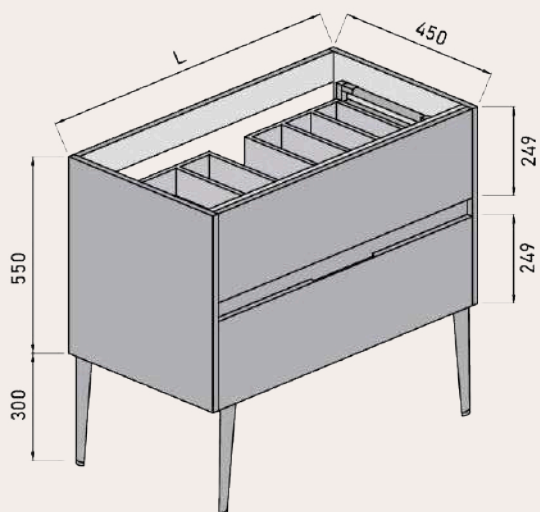
Handle



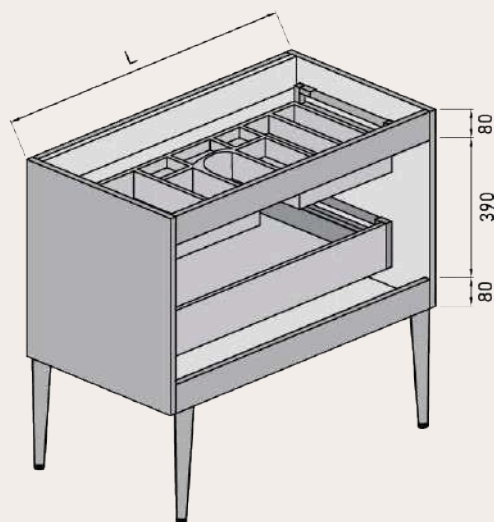
Quality guarantee

AVAILABLE MEASUREMENTS FOR FURNITURE OF 2 DRAWERS (cm)

Front view

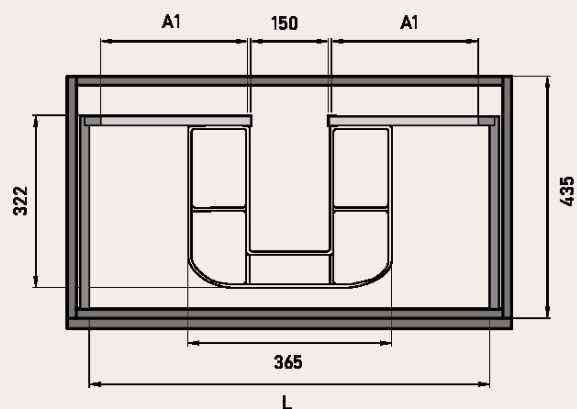


Back view



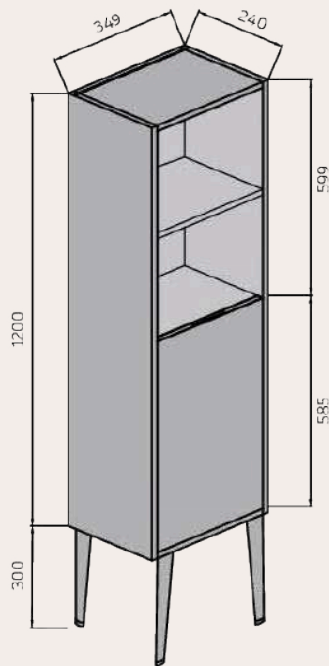
Upper drawer

	WIDTH	L	A1
UNIT 70	70	591	215
UNIT 80	80	691	265

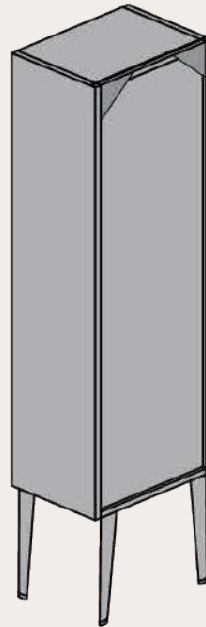


AVAILABLE MEASUREMENTS FOR SEMI-COLUMN (cm)

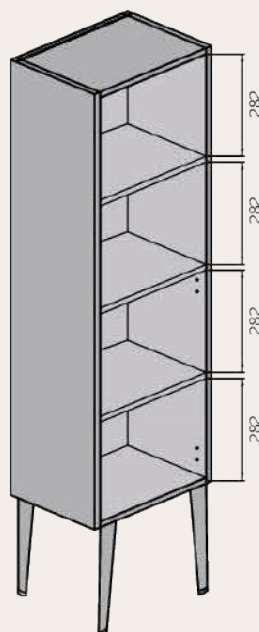
Front view



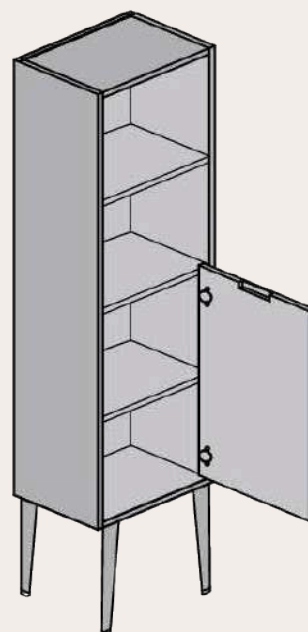
Back view



Front view (fixed shelves)



Front view (interior)



* The customer can change the door opening direction to the left.



WWW.MAESTREBANOS.COM

Polígono Industrial Cabezuelo 2
13440, Argamasilla de Calatrava (Ciudad Real)
926 44 25 24
maestrebamos@maestrebamos.com



La marca de la
gestión forestal
responsable