

Technical Data

MONTREAL



maestre

BAÑOS



AVAILABLE MODELS

60-70-80-100-120



60-70-80-100-120



35



30



FRONT AND STRUCTURE FINISHES



DESERT



CONGO

TECHNICAL SPECIFICATIONS

Structure: Made of 16 mm particle board.

Handles: Recessed bar.

Mounting:

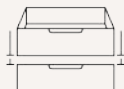
*Wall- hung: Includes 2 metal hangers for horizontal and vertical regulation.

*Floor- standing: Include 1 bag of 4 legs in matte graphite and its screws.

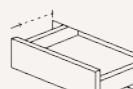
FEATURES



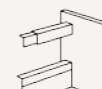
Organizer drawer



Adjustable drawer



Soft close



Hettich guides



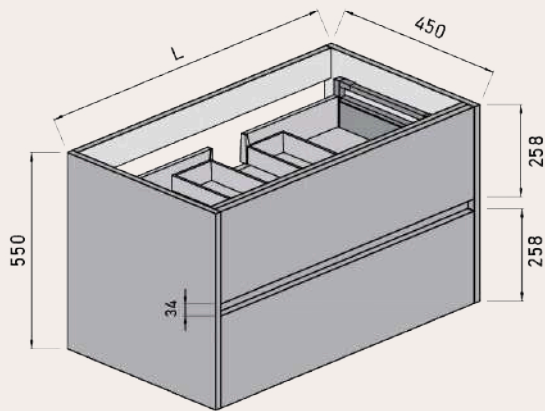
Cleaning robot easy access



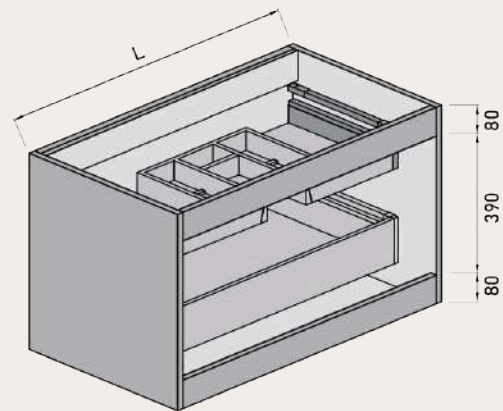
Quality guarantee

AVAILABLE MEASUREMENTS FOR FURNITURE OF 2 DRAWERS (cm)

Front view

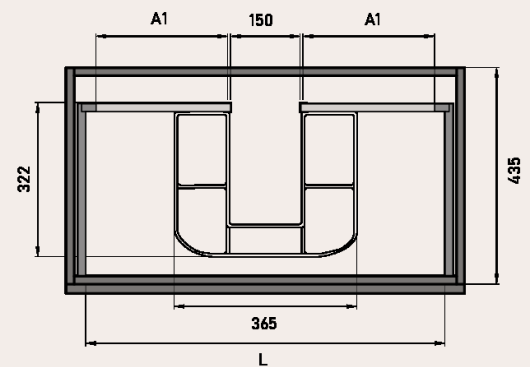


Back view



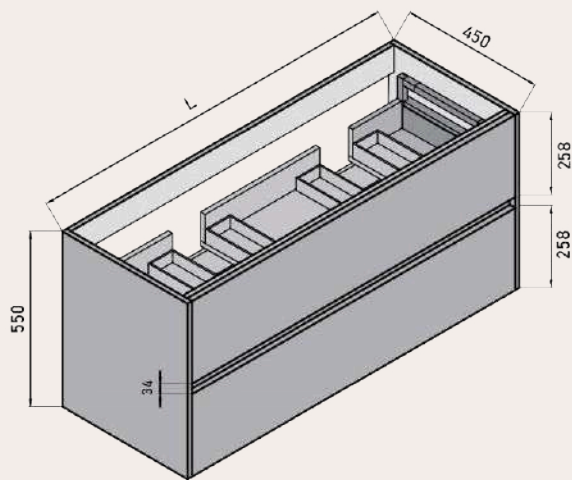
Upper drawer

	WIDTH	L	A1
UNIT	60	491	165
UNIT	70	591	215
UNIT	80	691	265
UNIT	100	891	365
UNIT	120	991	465

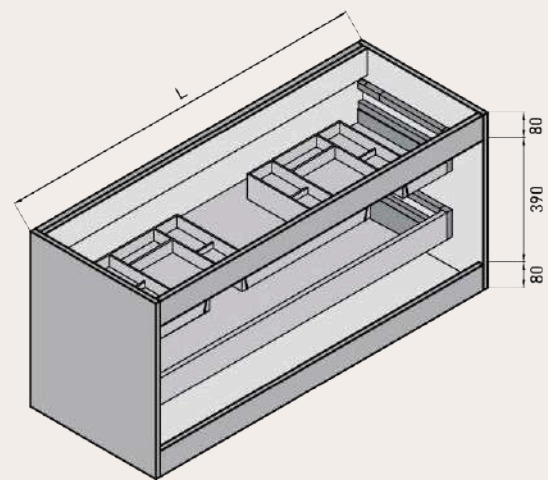


AVAILABLE MEASUREMENTS FOR FURNITURE OF 2 DRAWERS AND 2 SINKS (cm)

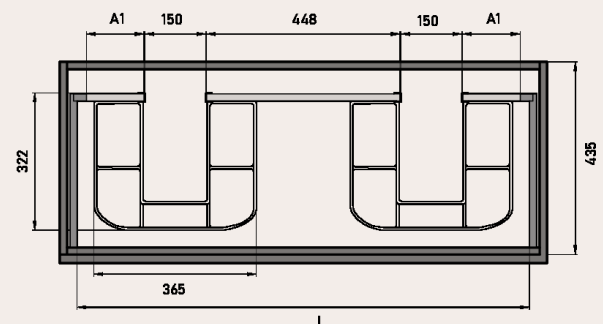
Front view



Back view



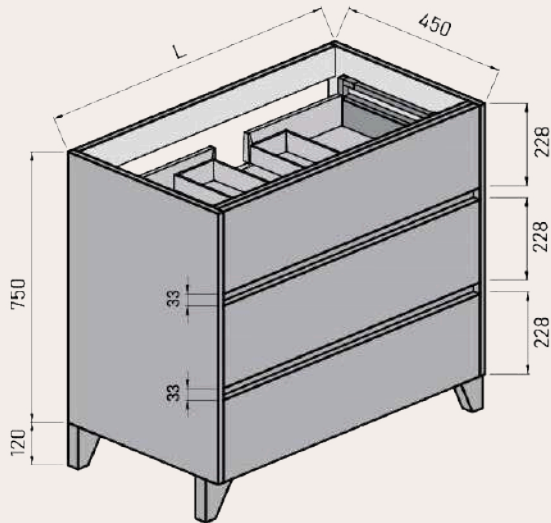
Upper drawer



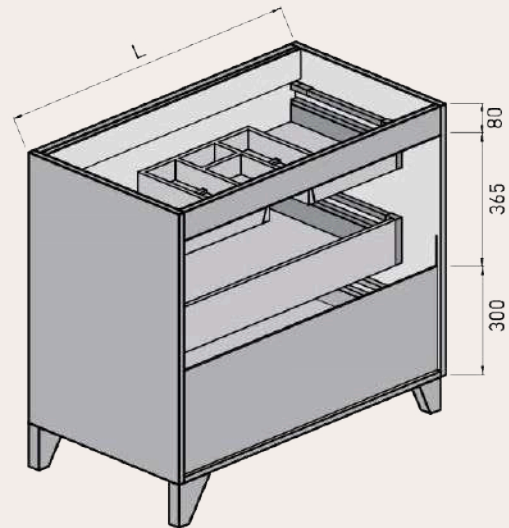
	WIDTH	L	A1
UNIT	120	991	125
TWIN BOWL			

AVAILABLE MEASUREMENTS FOR FURNITURE OF 3 DRAWERS (cm)

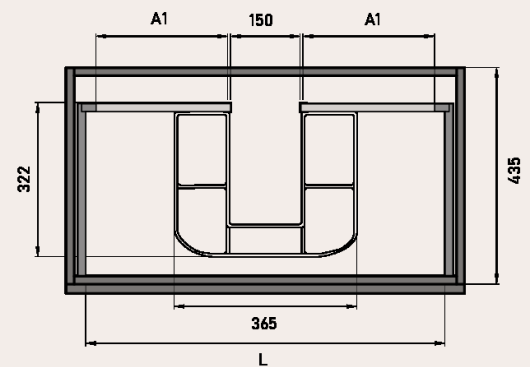
Front view



Back view



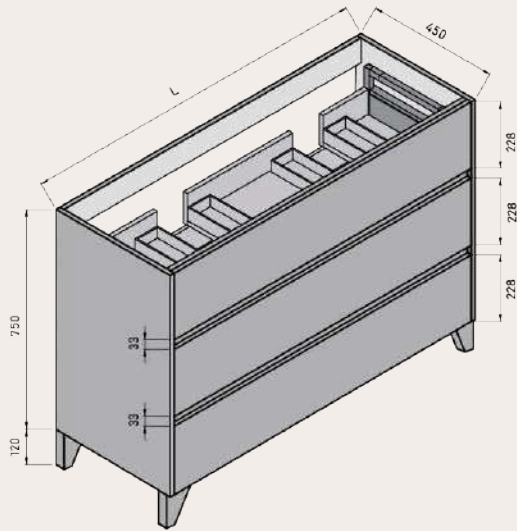
Upper drawer



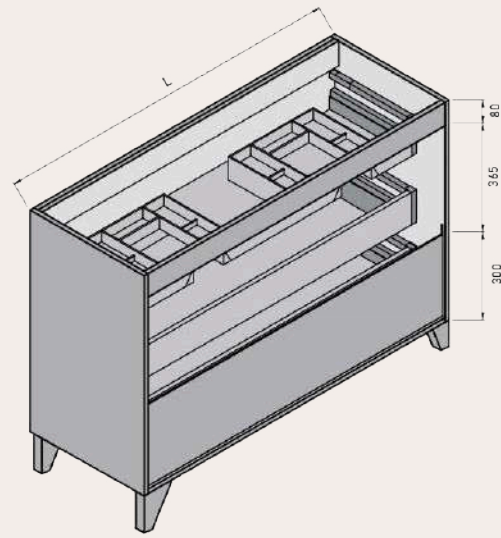
	WIDTH	L	A1
UNIT	60	491	165
UNIT	70	591	215
UNIT	80	691	265
UNIT	100	891	365
UNIT	120	991	465

AVAILABLE MEASUREMENTS FOR FURNITURE OF 3 DRAWERS AND 2 SINKS (cm)

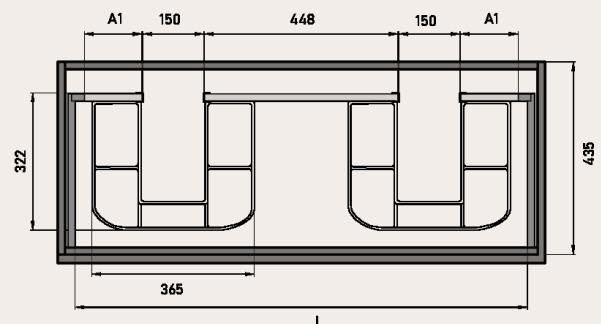
Front view



Back view



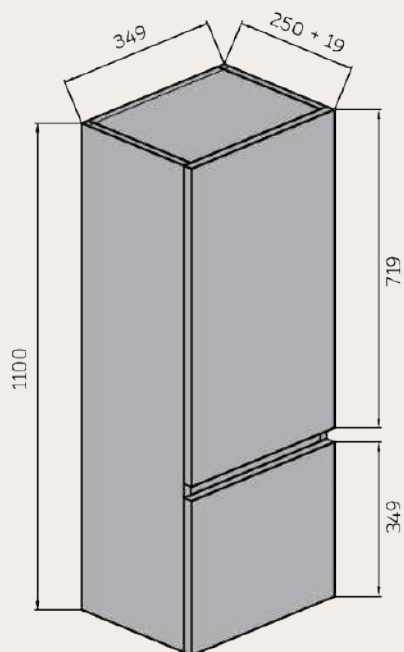
Upper drawer



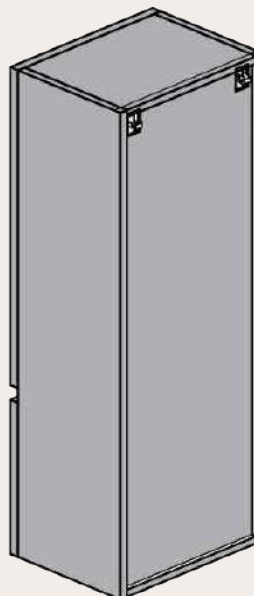
	WIDTH	L	A1
UNIT	120	991	125
TWIN BOWL			

AVAILABLE MEASUREMENTS FOR SEMI-COLUMN (cm)

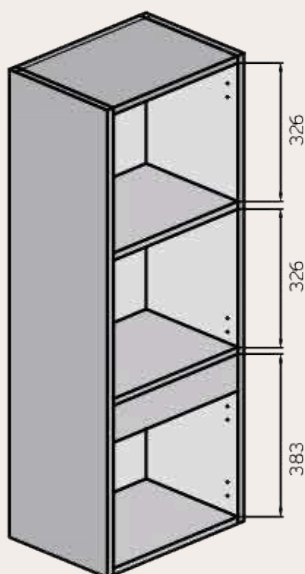
Front view



Back view

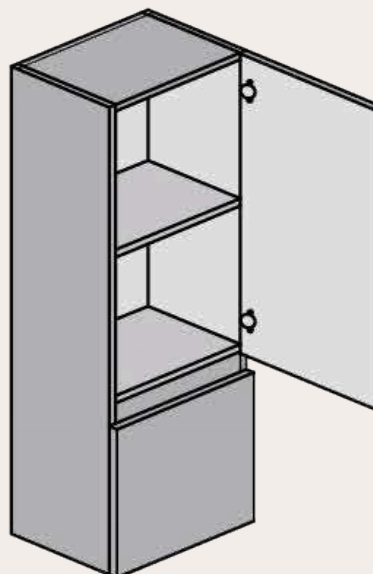


Front view (fixed shelves)



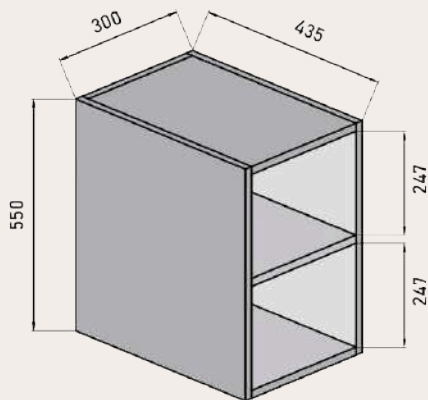
Front view (interior)

* The customer can change the door opening direction to the left.

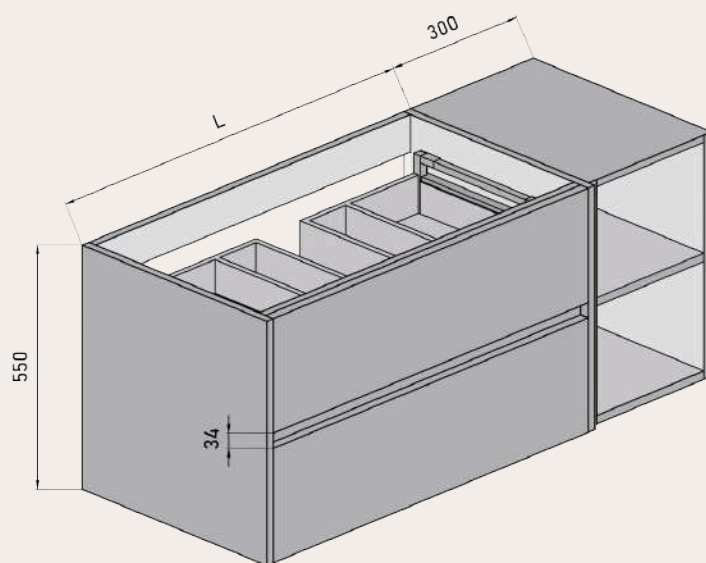


AVAILABLE MEASUREMENTS FOR MODUL (cm)

Shelf module: Front view (fixed shelf)



Front view FURNITURE PLUS SHELF MODULE





WWW.MAESTREBANOS.COM

Polígono Industrial Cabezuelo 2
13440, Argamasilla de Calatrava (Ciudad Real)
926 44 25 24
maestrebamos@maestrebamos.com



La marca de la
gestión forestal
responsable