

Technical Data

# KALUA

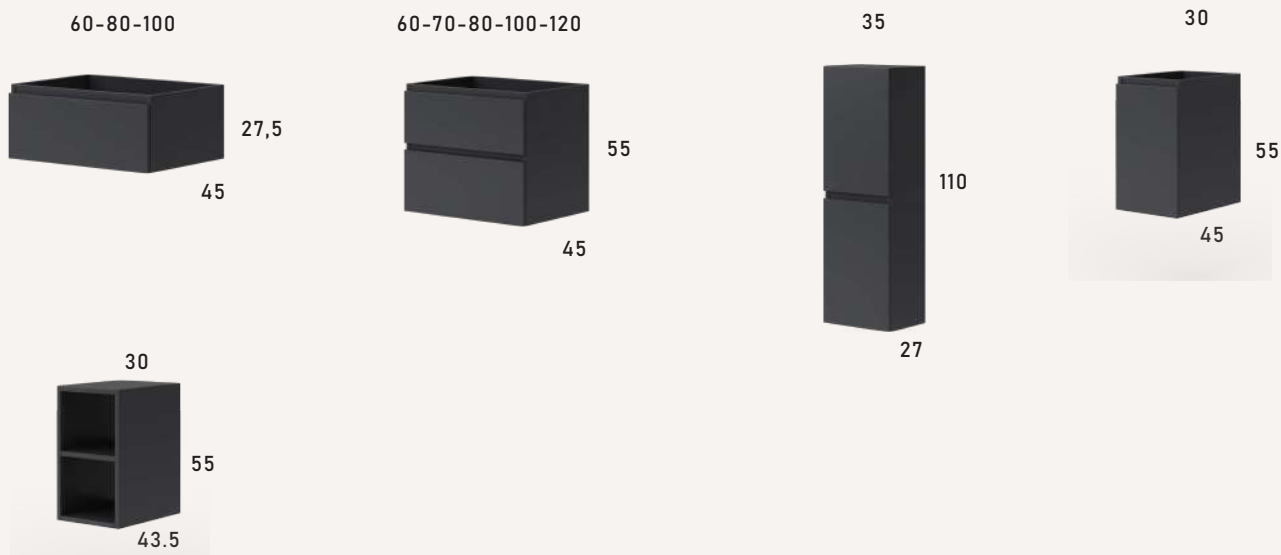


maestre

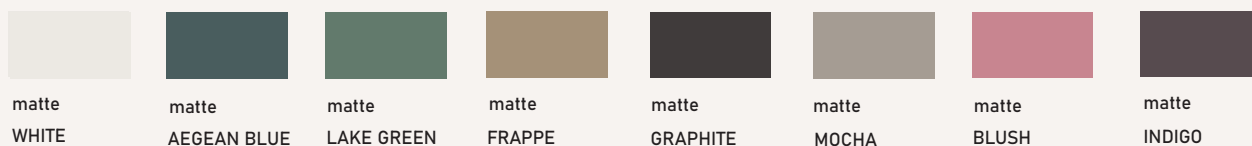
BAÑOS



## AVAILABLE MODELS



## FRONT AND STRUCTURE FINISHES



## TECHNICAL SPECIFICATIONS

**Structure:** Made of 16 mm particle board with anthracite interior.  
**Handles:** Recessed bar.

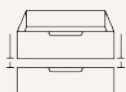
### Mounting:

\*Wall- hung: Includes 2 metal hangers for horizontal and vertical regulation.

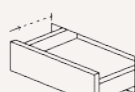
## FEATURES



Organizer drawer



Adjustable drawer



Soft close



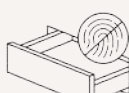
Hettich guides



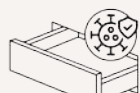
Cleaning robot easy access



Anthracite interior



Fingerprint-resistant lacquer



Antibacterial lacquer



Quality guarantee

## MODELOS DISPONIBLES



## FRONT AND STRUCTURE FINISHES



DESERT

## TECHNICAL SPECIFICATIONS

Structure: Made of 16 mm particle board.

Handles: Recessed bar.

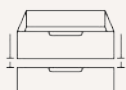
Mounting:

\*Wall- hung: Includes 2 metal hangers for horizontal and vertical regulation.

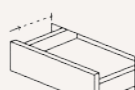
## FEATURES



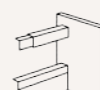
Organizer drawer



Adjustable drawer



Soft close



Hettich guides



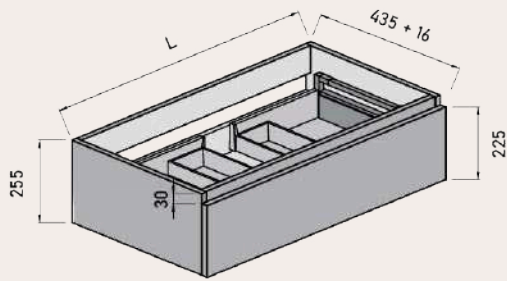
Cleaning robot easy access



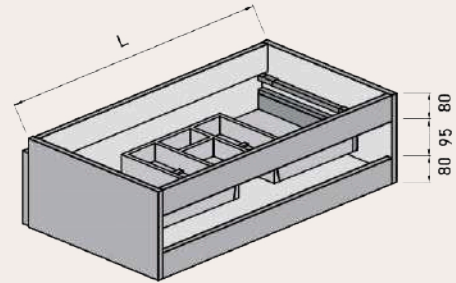
Quality guarantee

AVAILABLE MEASUREMENTS FOR FURNITURE OF 1 DRAWER (cm)

Front view

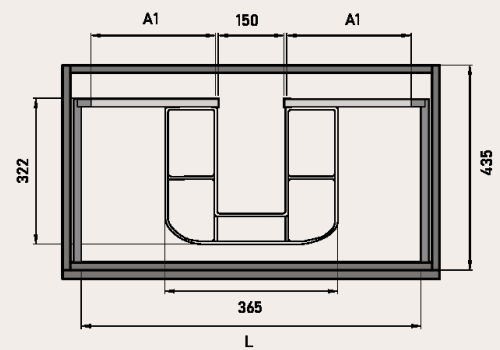


Back view



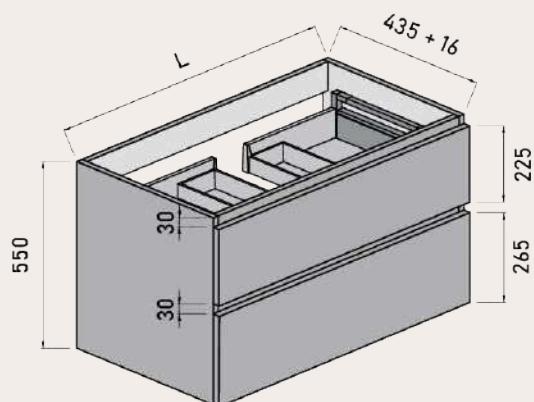
Upper drawer

WIDTH	L	A1
UNIT 60	491	165
UNIT 80	591	265
UNIT 100	891	365

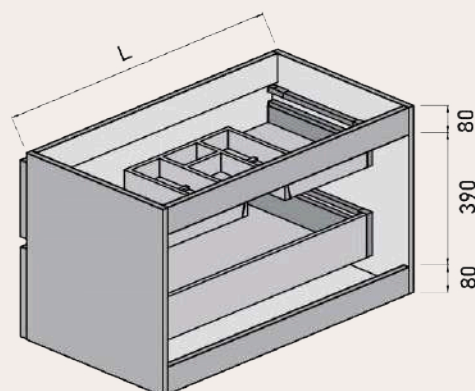


AVAILABLE MEASUREMENTS FOR FURNITURE OF 2 DRAWERS (cm)

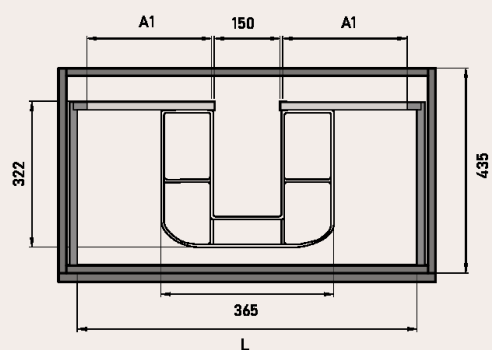
Front view



Back view



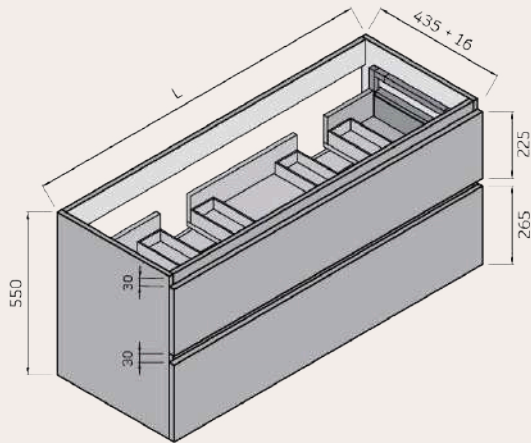
Upper drawer



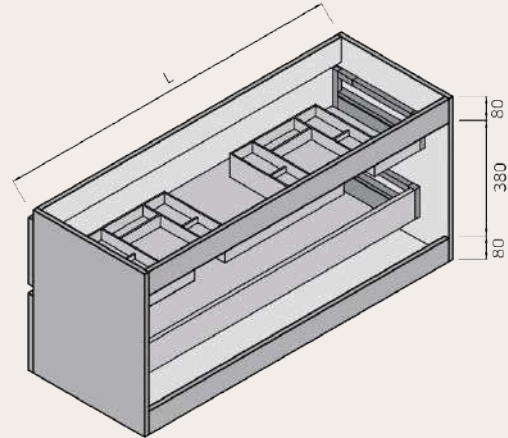
	WIDTH	L	A1
UNIT 60	60	491	165
UNIT 70	70	591	215
UNIT 80	80	691	265
UNIT 100	100	891	365
UNIT 120	120	991	465

AVAILABLE MEASUREMENTS FOR FURNITURE OF 2 DRAWERS AND 2 SINKS (cm)

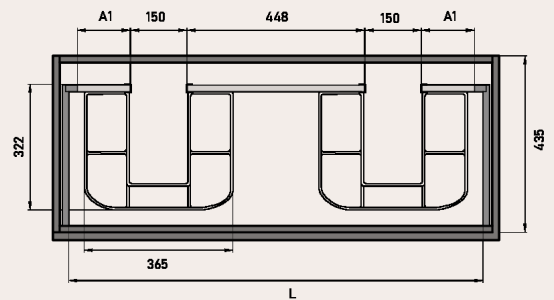
Front view



Back view



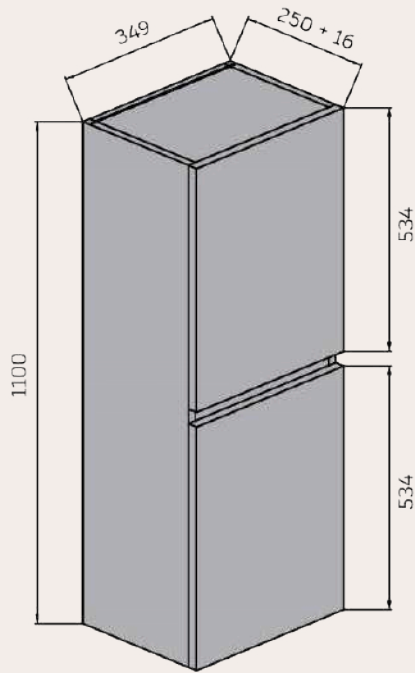
Upper drawer



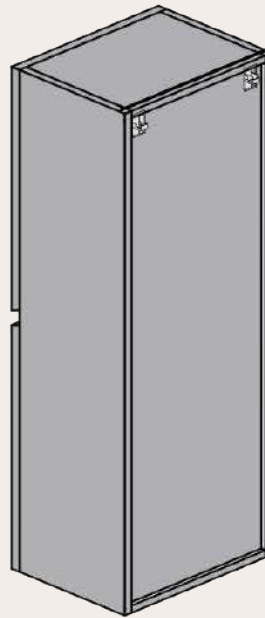
	WIDTH	L	A1
UNIT	120	991	125
TWIN BOWL			

AVAILABLE MEASUREMENTS FOR SEMI-COLUMN (cm)

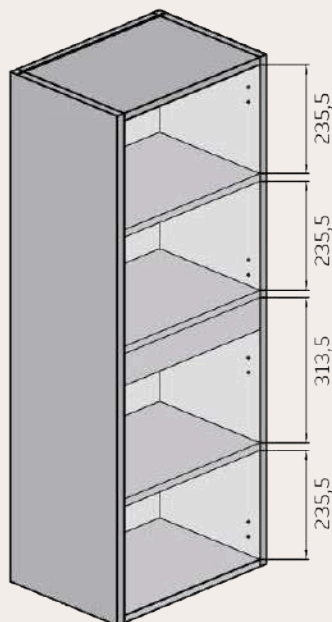
Front view



Back view

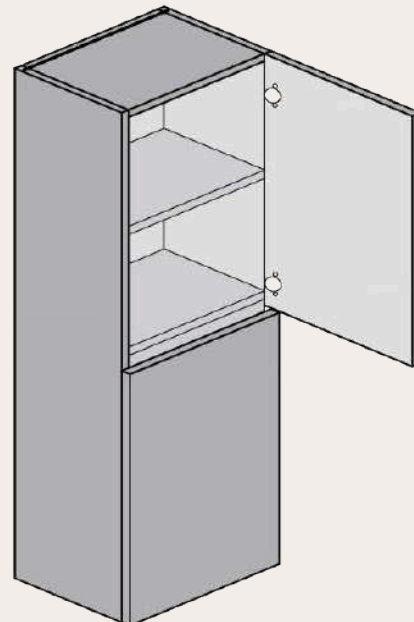


Front view (fixed shelves)



Front view (interior)

\* The customer can change the door opening direction to the left.

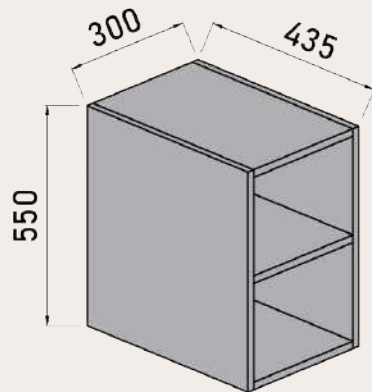


AVAILABLE MEASUREMENTS FOR MODUL (cm)

---

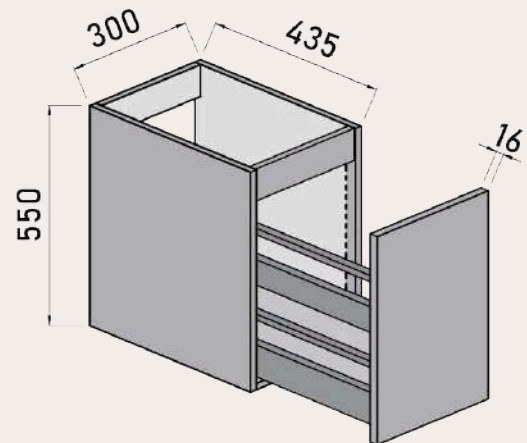
Shelf module: Front view (fixed shelf)

---



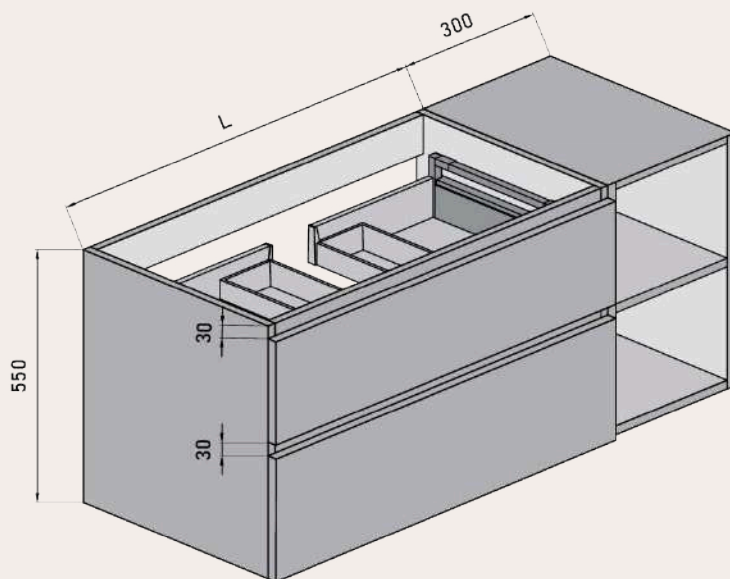
Pull - out drawer module: Front view

---



Front view FURNITURE PLUS SHELF MODULE

---







WWW.MAESTREBANOS.COM

Polígono Industrial Cabezuelo 2  
13440, Argamasilla de Calatrava (Ciudad Real)  
926 44 25 24  
maestrebamos@maestrebamos.com



La marca de la  
gestión forestal  
responsable