

Technical Data

KALUA

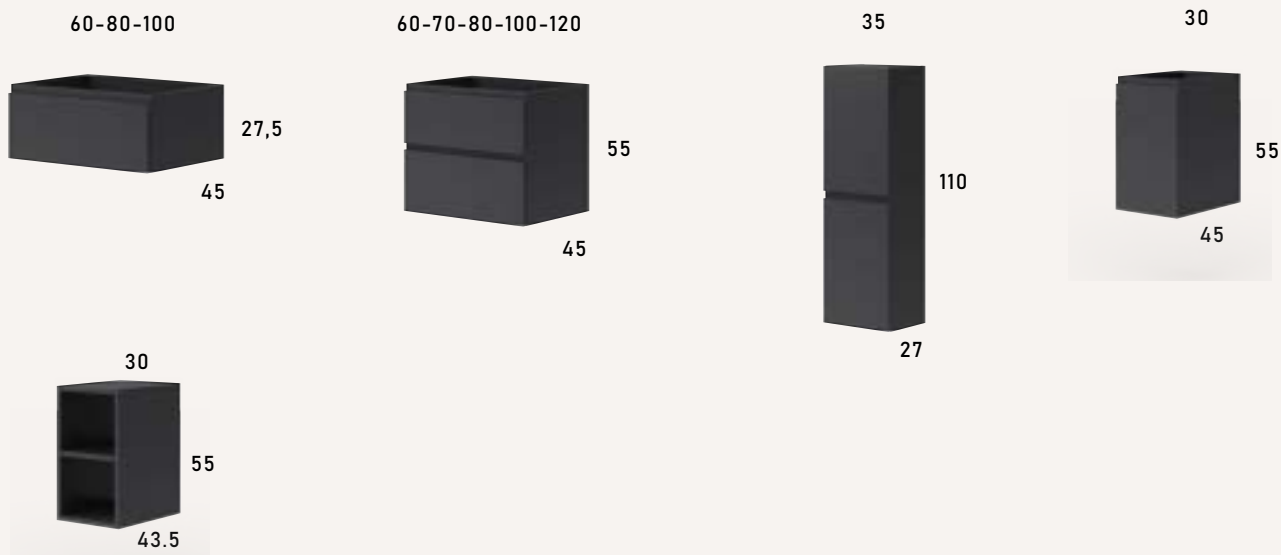


maestre

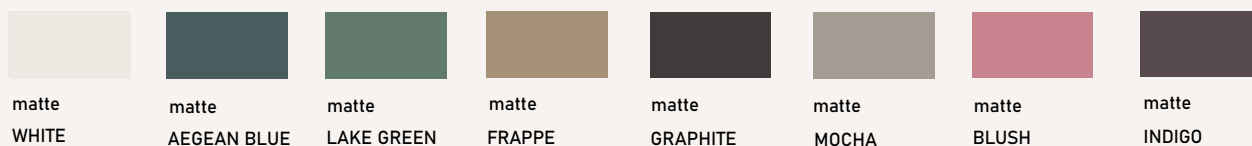
BAÑOS



AVAILABLE MODELS



FRONT AND STRUCTURE FINISHES



TECHNICAL SPECIFICATIONS

Structure: Made of 16 mm particle board with anthracite interior.
Handles: Recessed bar.

Mounting:

*Wall- hung: Includes 2 metal hangers for horizontal and vertical regulation.

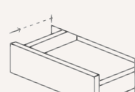
FEATURES



Organizer drawer



Adjustable drawer



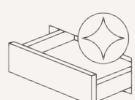
Soft close



Hettich guides



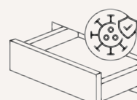
Cleaning robot easy access



Anthracite interior



Fingerprint-resistant lacquer

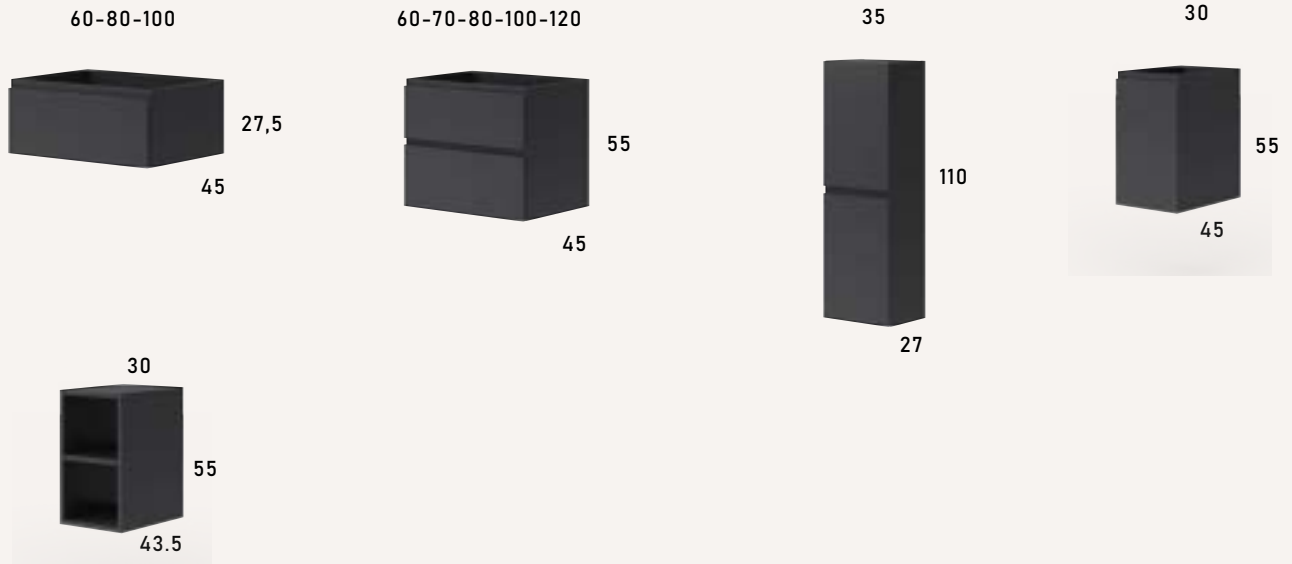


Antibacterial lacquer



Quality guarantee

MODELOS DISPONIBLES



FRONT AND STRUCTURE FINISHES



DESERT

TECHNICAL SPECIFICATIONS

Structure: Made of 16 mm particle board.

Handles: Recessed bar.

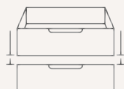
Mounting:

*Wall- hung: Includes 2 metal hangers for horizontal and vertical regulation.

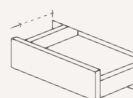
FEATURES



Organizer drawer



Adjustable drawer



Soft close



Hettich guides



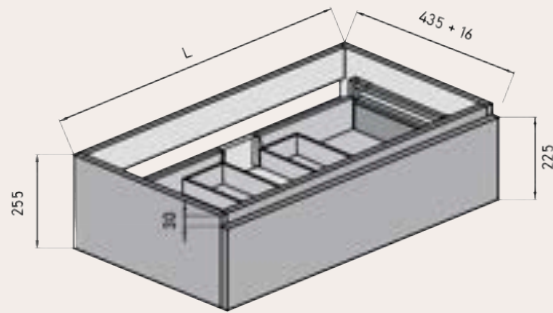
Cleaning robot easy access



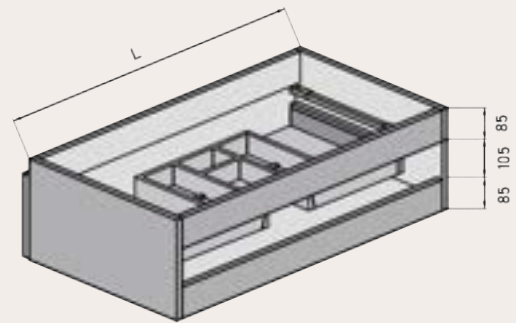
Quality guarantee

AVAILABLE MEASUREMENTS FOR FURNITURE OF 1 DRAWER (cm)

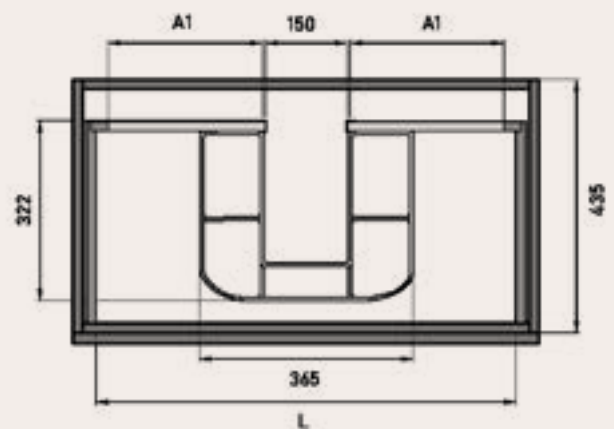
Front view



Back view



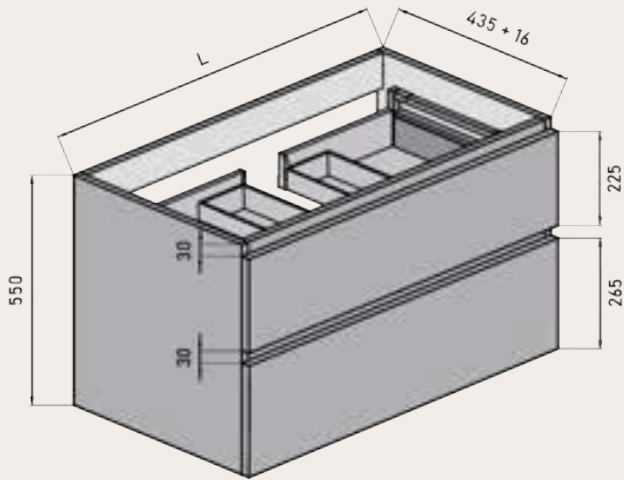
Upper drawer



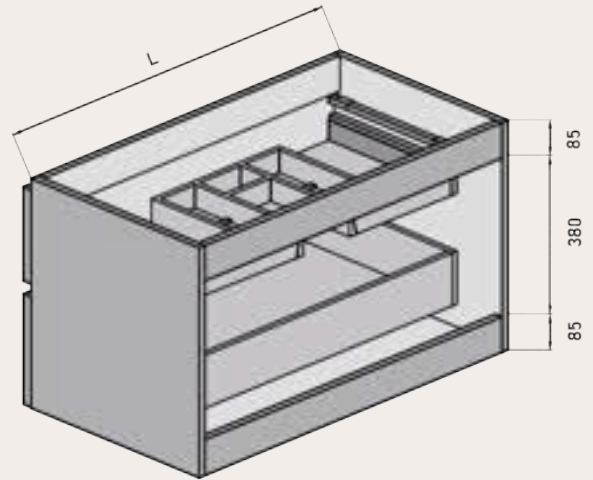
WIDTH	L	A1
UNIT 60	491	165
UNIT 80	591	265
UNIT 100	891	365

AVAILABLE MEASUREMENTS FOR FURNITURE OF 2 DRAWERS (cm)

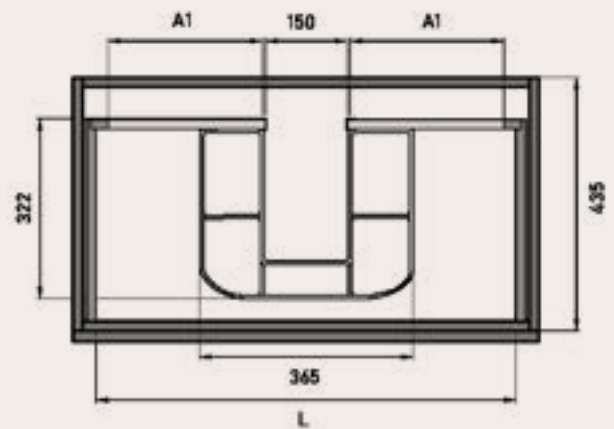
Front view



Back view



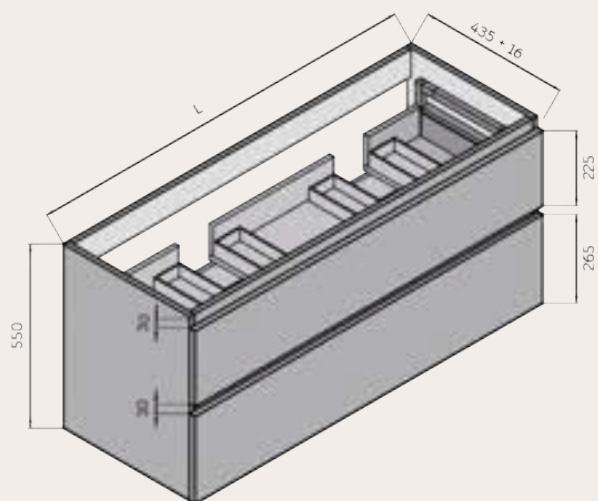
Upper drawer



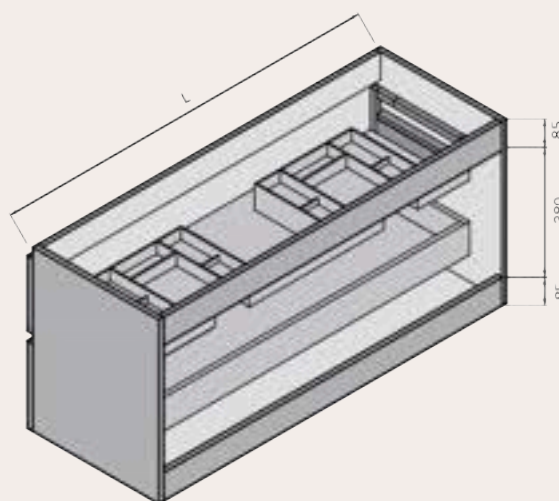
	WIDTH	L	A1
UNIT 60	60	491	165
UNIT 70	70	591	215
UNIT 80	80	691	265
UNIT 100	100	891	365
UNIT 120	120	991	465

AVAILABLE MEASUREMENTS FOR FURNITURE OF 2 DRAWERS AND 2 SINKS (cm)

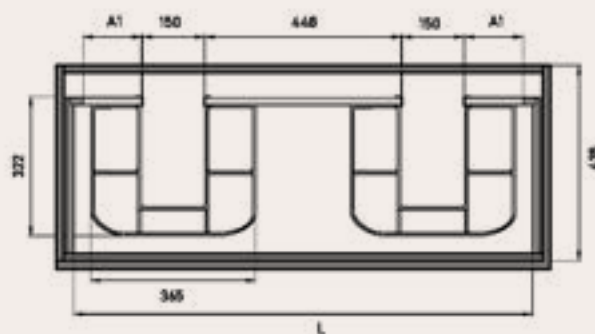
Front view



Back view



Upper drawer

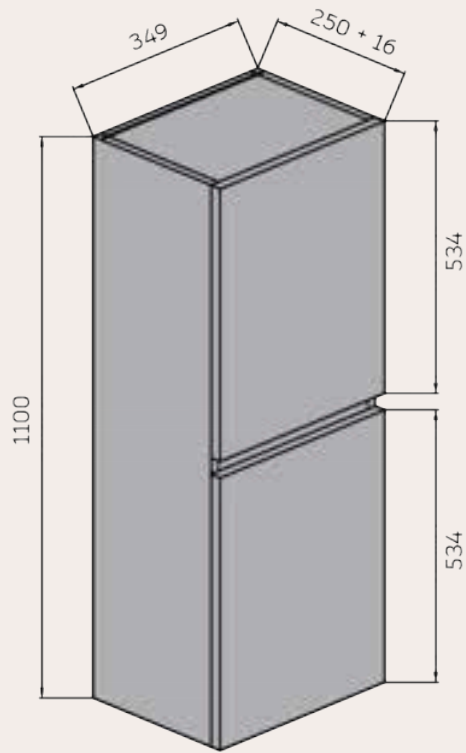


	WIDTH	L	A1
UNIT	120	991	125

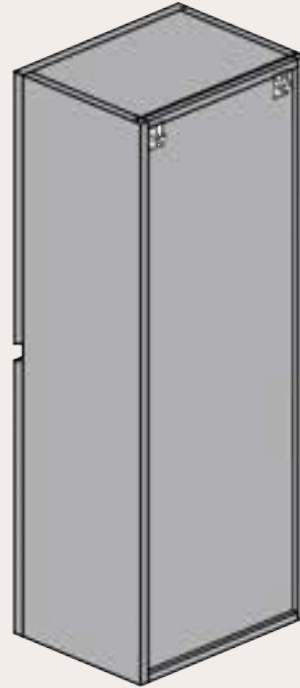
TWIN BOWL

AVAILABLE MEASUREMENTS FOR SEMI-COLUMN (cm)

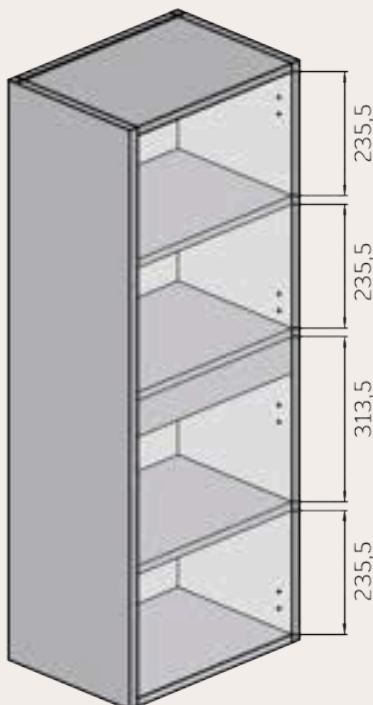
Front view



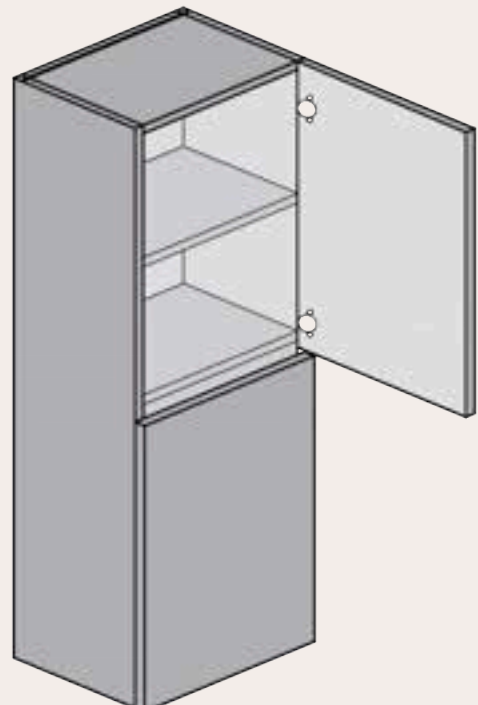
Back view



Front view (fixed shelves)

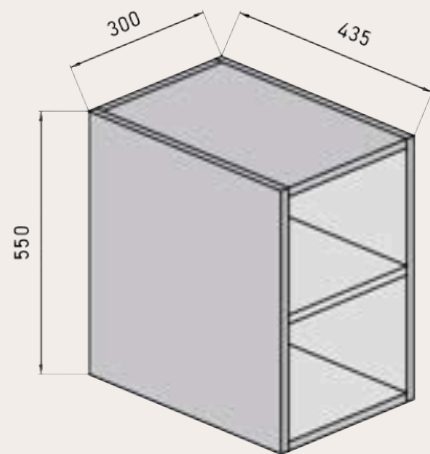


Front view (interior)

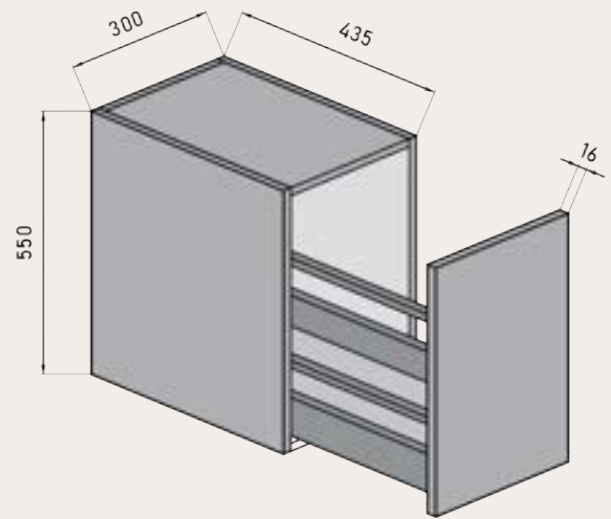


AVAILABLE MEASUREMENTS FOR MODUL (cm)

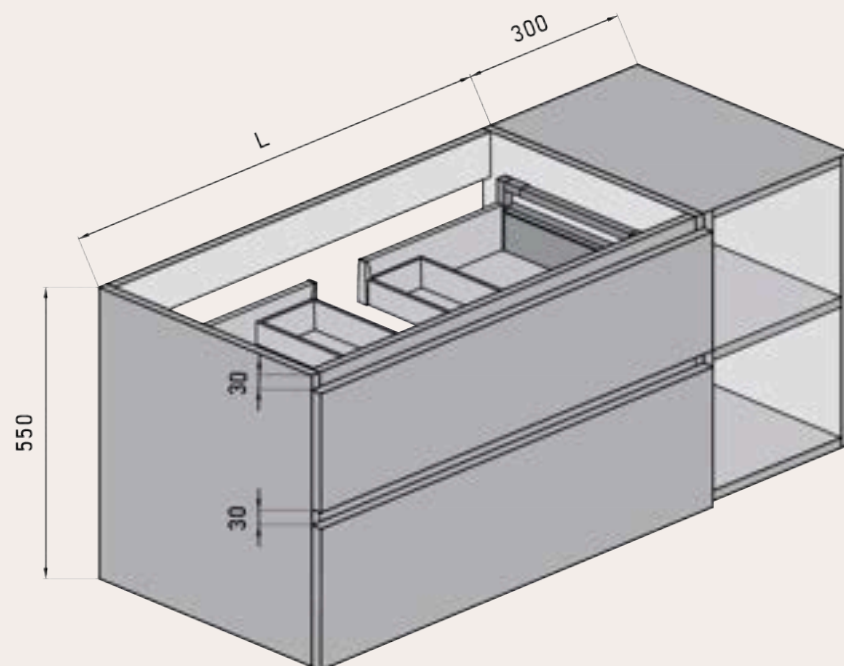
Shelf module: **Front view (fixed shelf)**



Pull - out drawer module: **Front view**



Front view FURNITURE PLUS SHELF MODULE





WWW.MAESTREBANOS.COM

Polígono Industrial Cabezuelo 2
13440, Argamasilla de Calatrava (Ciudad Real)
926 44 25 24
maestrebamos@maestrebamos.com



La marca de la
gestión forestal
responsable