

Technical Data

KAIRO



maestre

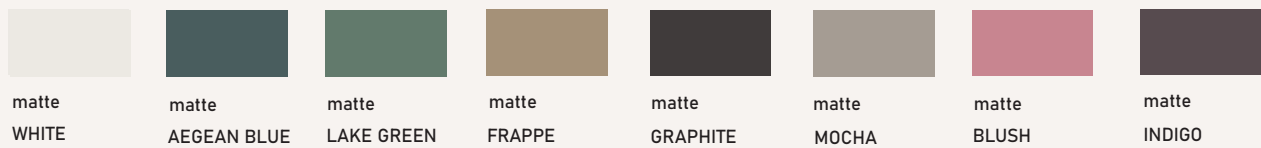
BAÑOS



AVAILABLE MODELS



FRONT AND STRUCTURE FINISHES



TECHNICAL SPECIFICATIONS

Structure: Made of 16 mm particle board with anthracite interior.

Front: Made of 19mm MDF board.

Handles: Finger pull milled into the front.

Mounting:

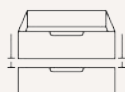
*Wall- hung: Includes 2 metal hangers for horizontal and vertical regulation.

*Floor- standing: Include 1 bag of 4 legs and screws. The finish of the legs is the same as the unit structure.

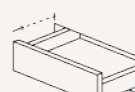
FEATURES



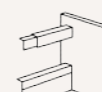
Organizer drawer



Adjustable drawer



Soft close



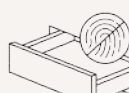
Hettich guides



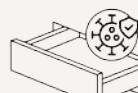
Cleaning robot easy access



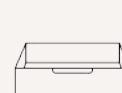
Anthracite interior



Fingerprint-resistant lacquer



Antibacterial lacquer



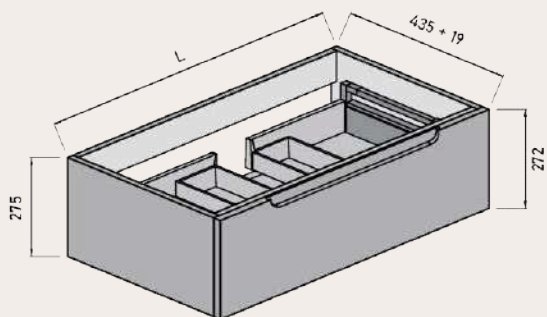
Finger pull



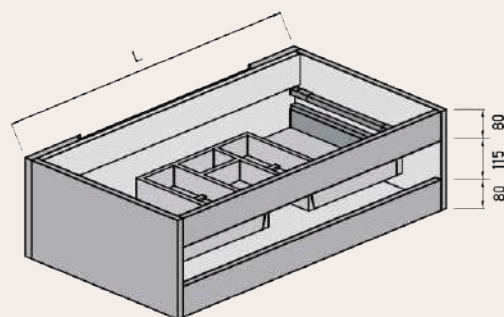
Quality guarantee

AVAILABLE MEASUREMENTS FOR FURNITURE OF 1 DRAWER (cm)

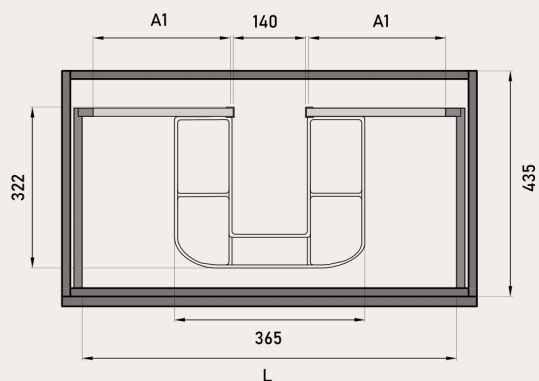
Front view



Back view



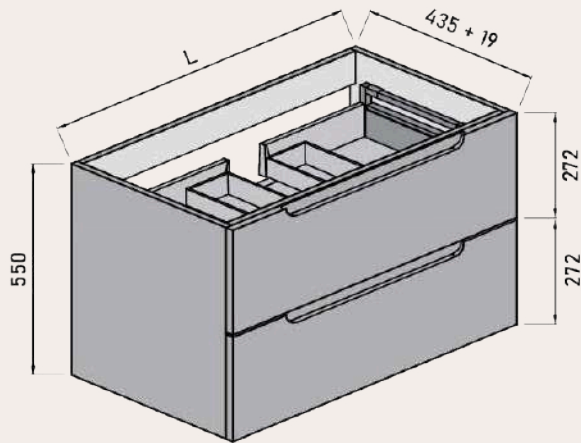
Upper drawer



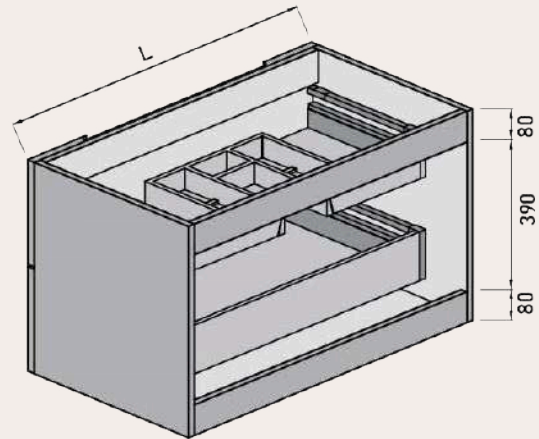
WIDTH	L	A1
UNIT 60	491	165
UNIT 80	591	265
UNIT 100	891	365

AVAILABLE MEASUREMENTS FOR FURNITURE OF 2 DRAWERS (cm)

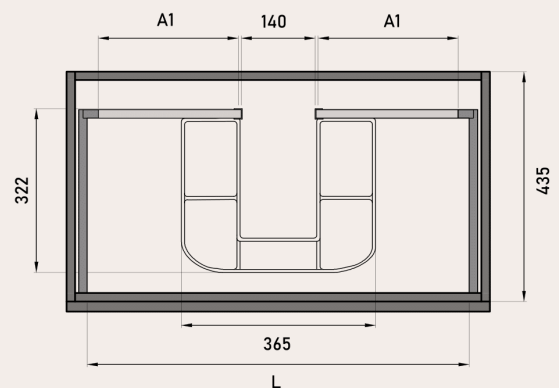
Front view



Back view



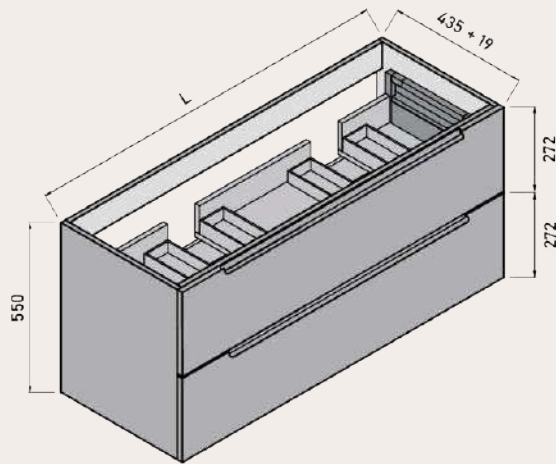
Upper drawer



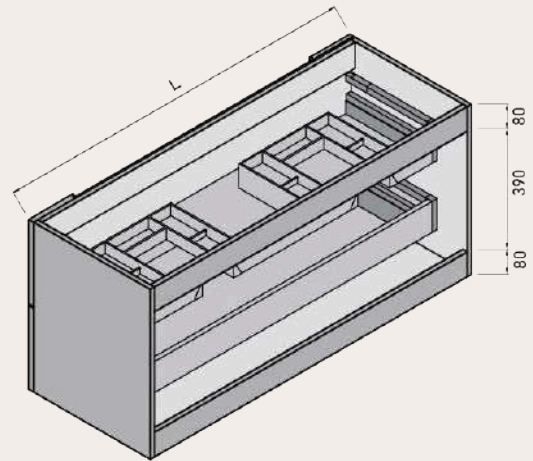
	WIDTH	L	A1
UNIT 60	60	491	165
UNIT 70	70	591	215
UNIT 80	80	691	265
UNIT 100	100	891	365
UNIT 120	120	991	465

AVAILABLE MEASUREMENTS FOR FURNITURE OF 2 DRAWERS AND 2 SINKS (cm)

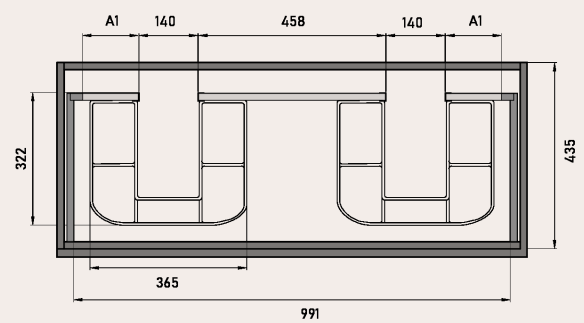
Front view



Back view



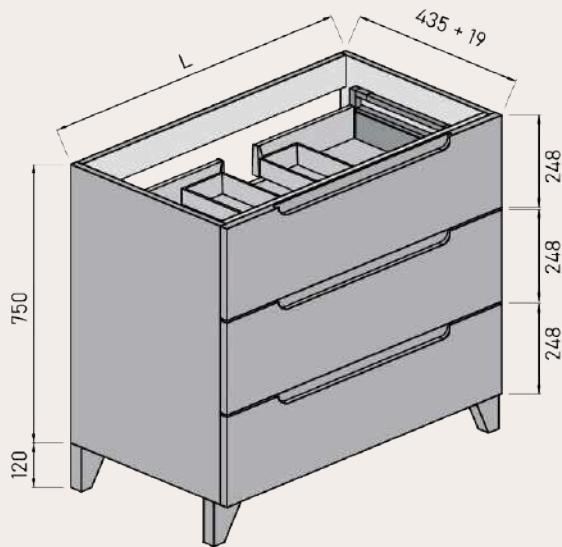
Upper drawer



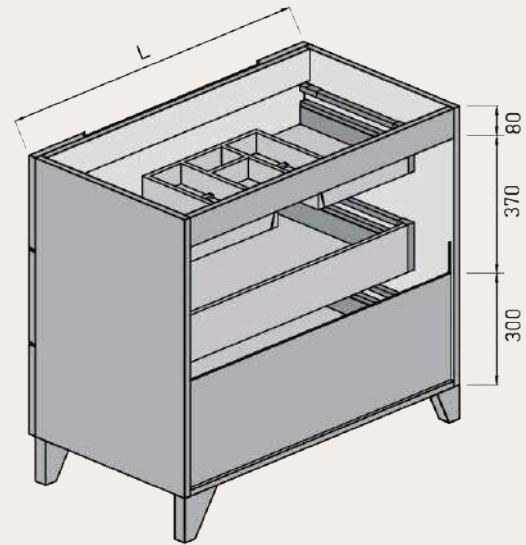
	WIDTH	L	A1
UNIT	120	991	125
TWIN BOWL			

AVAILABLE MEASUREMENTS FOR FURNITURE OF 3 DRAWERS (cm)

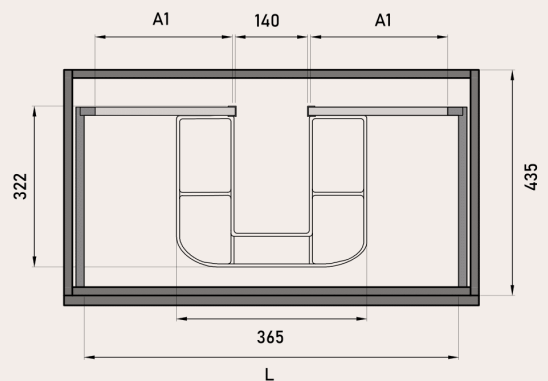
Front view



Back view



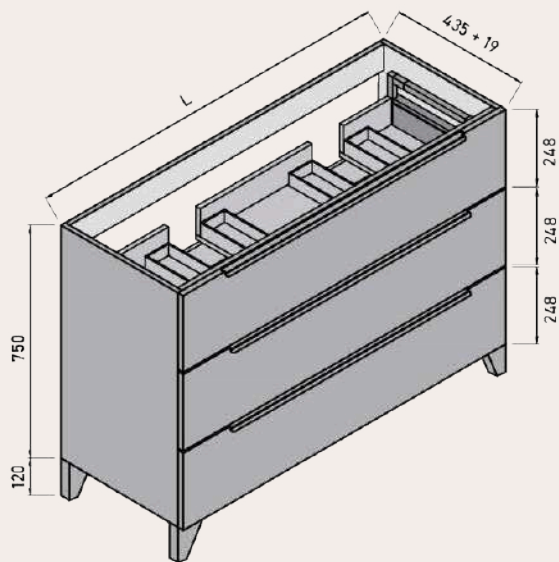
Upper drawer



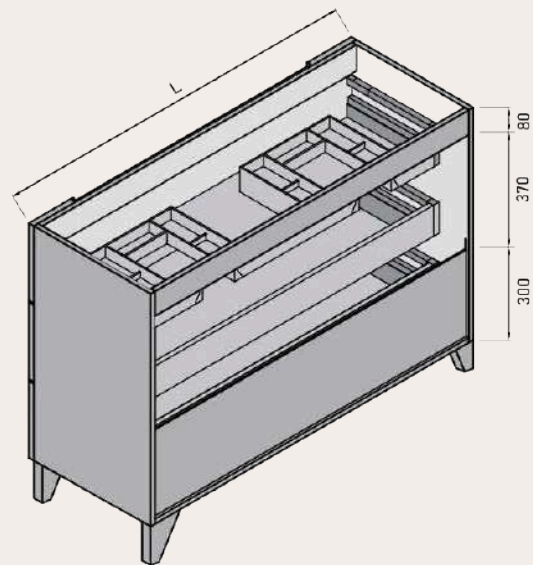
	WIDTH	L	A1
UNIT	60	491	165
UNIT	70	591	215
UNIT	80	691	265
UNIT	100	891	365
UNIT	120	991	465

AVAILABLE MEASUREMENTS FOR FURNITURE OF 3 DRAWERS AND 2 SINKS (Cm)

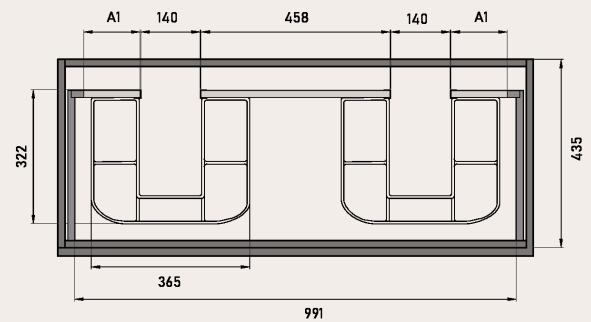
Front view



Back view



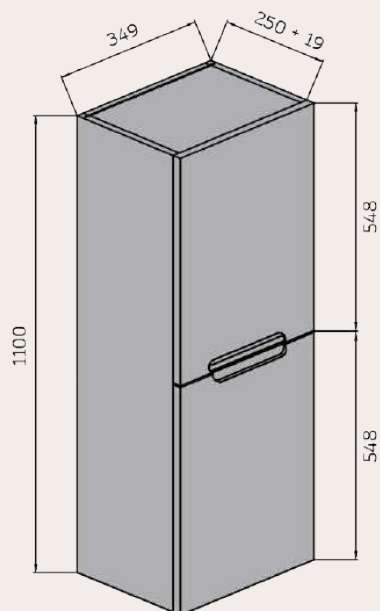
Upper drawer



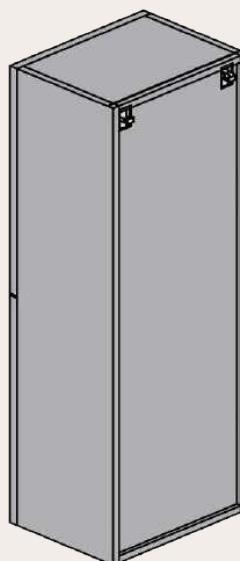
	WIDHT	L	A1
UNIT	120	991	125
TWIN BOWL			

AVAILABLE MEASUREMENTS FOR SEMI-COLUMN (cm)

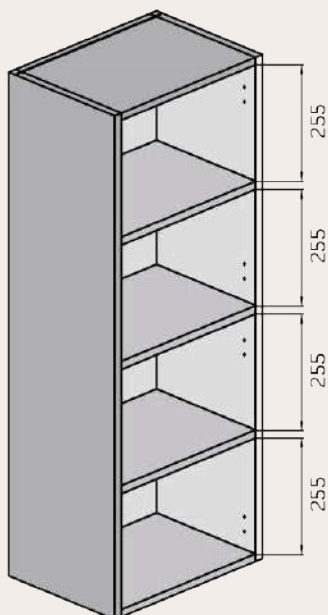
Front view



Back view

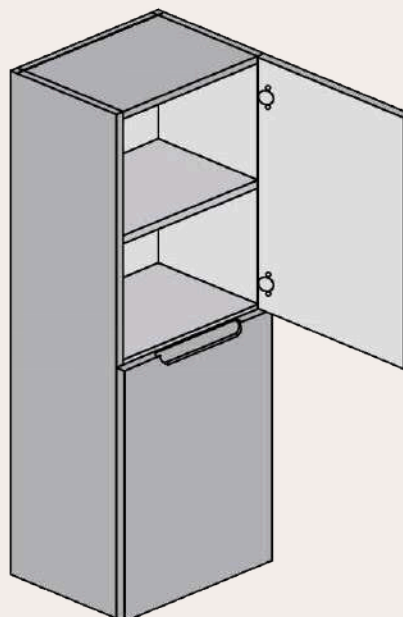


Front view (fixed shelves)



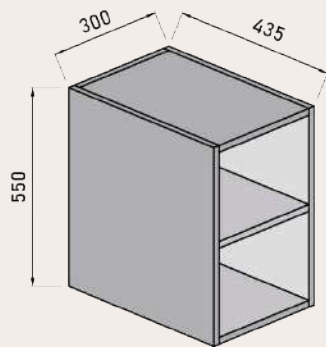
Front view (interior)

* The customer can change the door opening direction to the left.

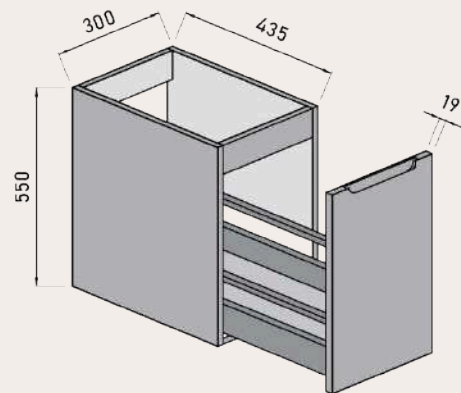


AVAILABLE MEASUREMENTS FOR MODUL (cm)

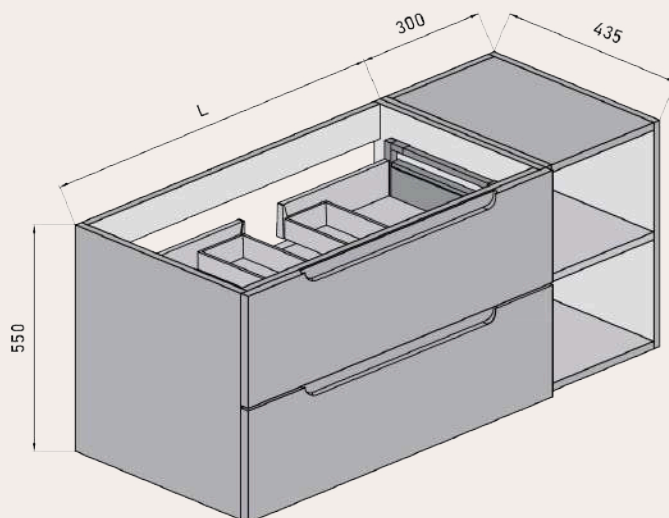
Shelf module: **Front view (fixed shelf)**



Pull - out drawer module: **Front view**



Front view FURNITURE PLUS SHELF MODULE





WWW.MAESTREBANOS.COM

Polígono Industrial Cabezuelo 2
13440, Argamasilla de Calatrava (Ciudad Real)
926 44 25 24
maestrebamos@maestrebamos.com



La marca de la
gestión forestal
responsable