

Technical Data

APOLO



maestre

BAÑOS



AVAILABLE MODELS

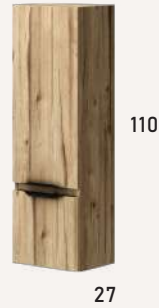
60-70-80-100-120



60-70-80-100-120



35



30



FRONT AND STRUCTURE FINISHES



DESERT



CONGO

TECHNICAL SPECIFICATIONS

nyö a y ö m S™ µ aÂ Ü Ü i™ byÉ Qi™ a™ b™
?™ Ü- Qiö T™ Ç™ Ü- Qi É Ü™ µ Äö™ ÇÉµ

Mounting:

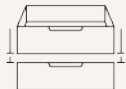
*Wall- hung: Includes 2 metal hangers for horizontal and vertical regulation.

*Floor- standing: Include 1 bag of 4 matte graphite legs and screws.

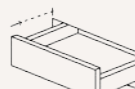
FEATURES



Organizer drawer



Adjustable drawer



Soft close



Hettich guides



Cleaning robot easy access



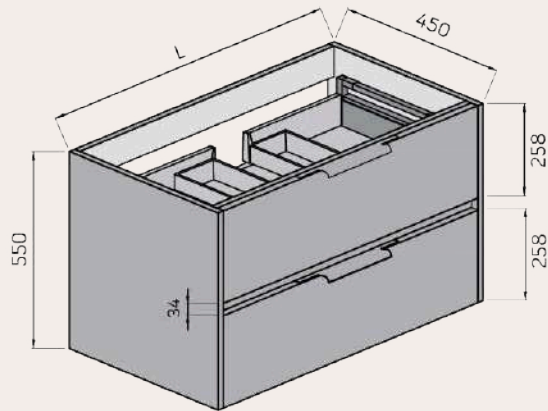
Handle



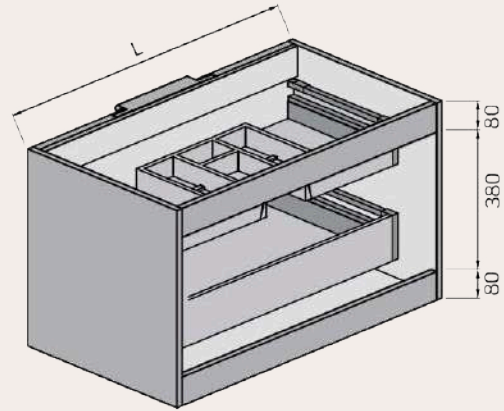
Quality guarantee

AVAILABLE MEASUREMENTS FOR FURNITURE OF 2 DRAWERS (cm)

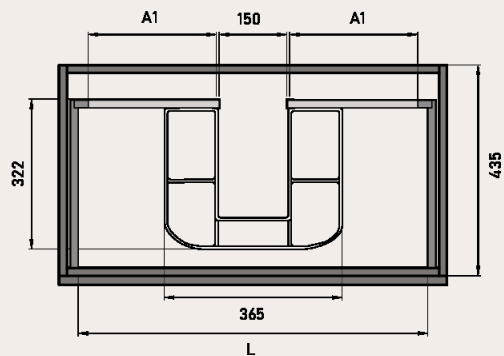
Front view



Back view



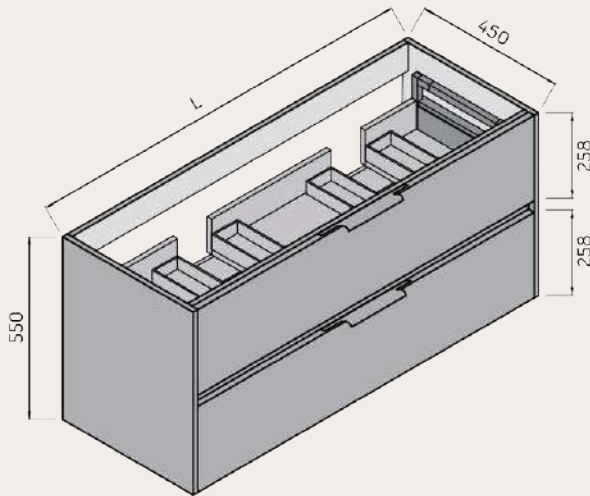
Upper drawer



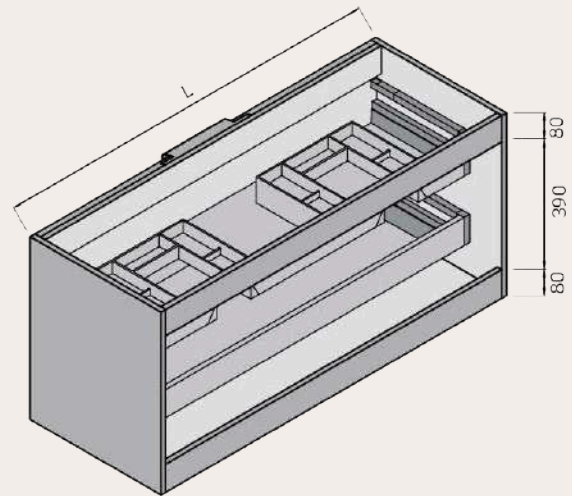
	WIDTH	L	A1
UNIT 60	60	491	165
UNIT 70	70	591	215
UNIT 80	80	691	265
UNIT 100	100	891	365
UNIT 120	120	991	465

AVAILABLE MEASUREMENTS FOR FURNITURE OF 2 DRAWERS AND 2 SINKS (cm)

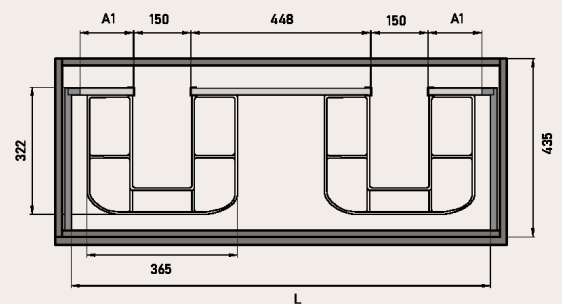
Front view



Back view



Upper drawer

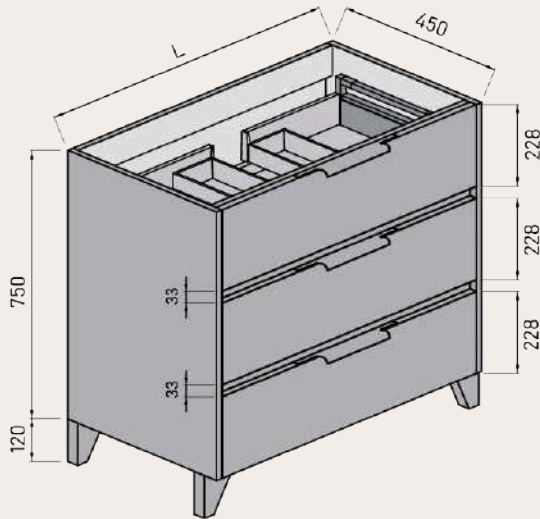


	WIDTH	L	A1
UNIT	120	991	125

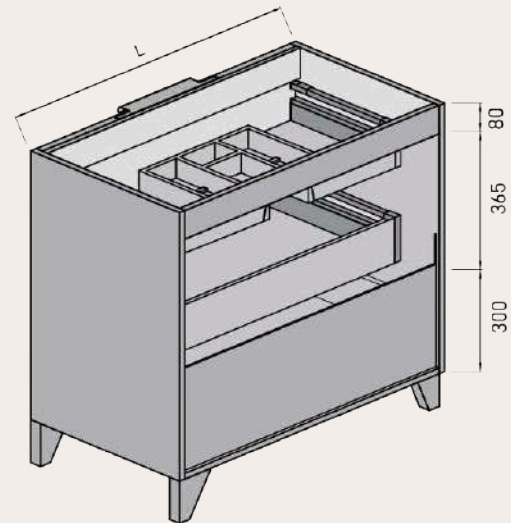
TWIN BOWL

AVAILABLE MEASUREMENTS FOR FURNITURE OF 3 DRAWERS (cm)

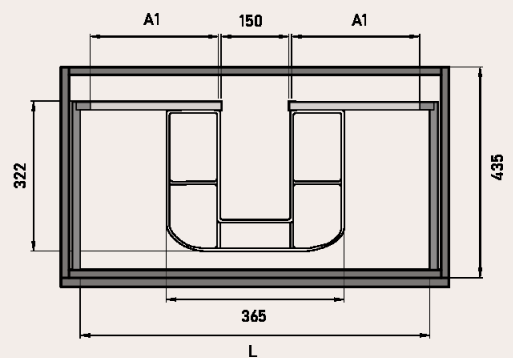
Front view



Back view



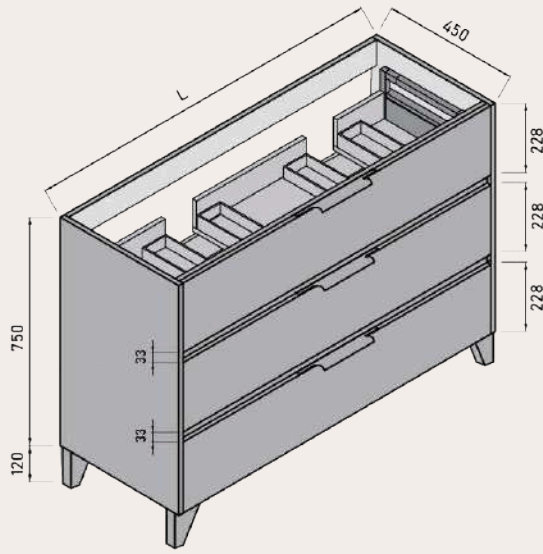
Upper drawer



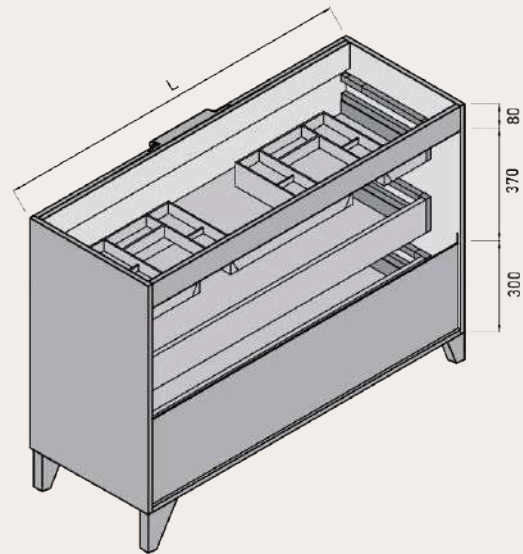
	WIDTH	L	A1
UNIT 60	60	491	165
UNIT 70	70	591	215
UNIT 80	80	691	265
UNIT 100	100	891	370
UNIT 120	120	991	465

AVAILABLE MEASUREMENTS FOR FURNITURE OF 3 DRAWERS AND 2 SINKS (Cm)

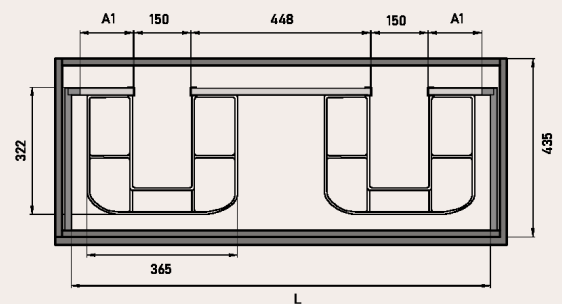
Front view



Back view



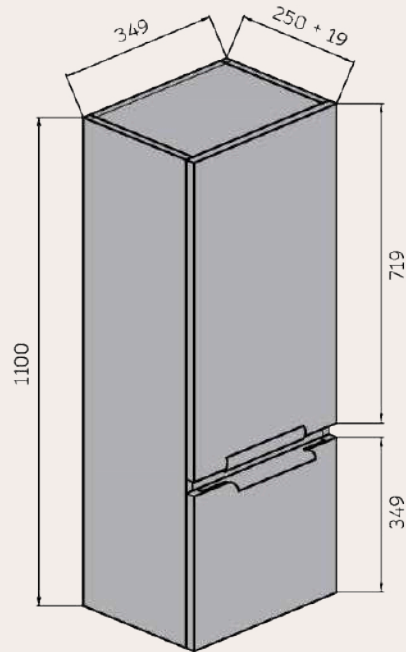
Upper drawer



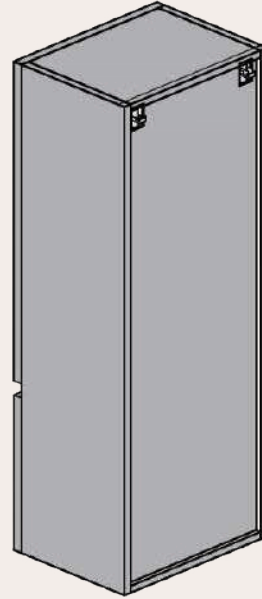
	WIDHT	L	A1
UNIT	120	991	125
TWIN BOWL			

AVAILABLE MEASUREMENTS FOR SEMI-COLUMN (cm)

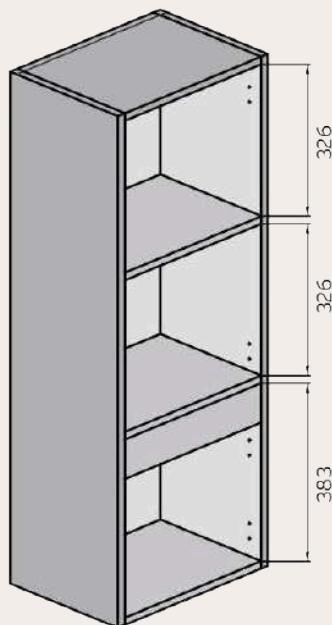
Front view



Back view

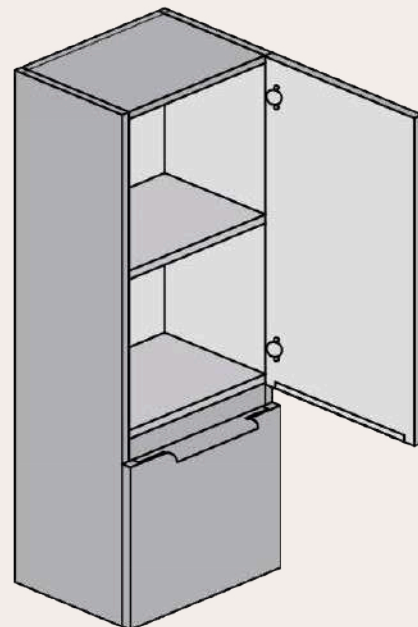


Front view (fixed shelves)



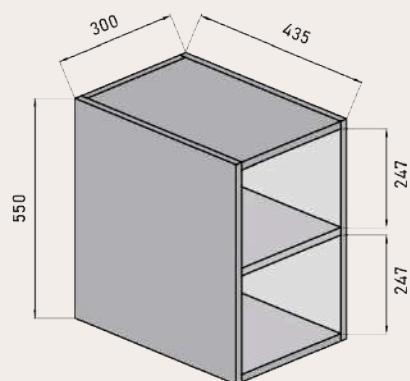
Front view (interior)

* The customer can change the door opening direction to the left.

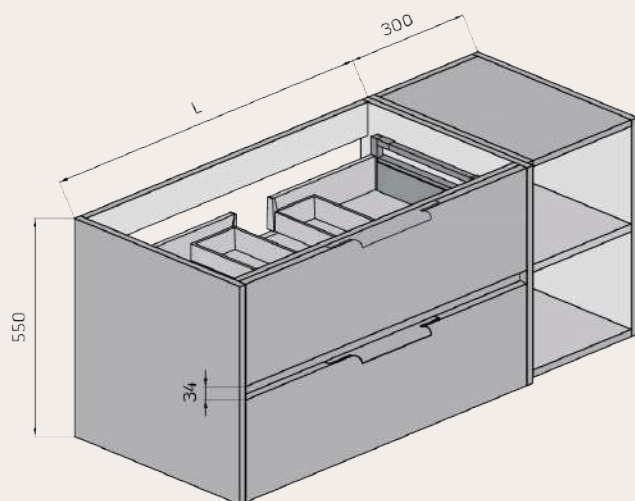


AVAILABLE MEASUREMENTS FOR MODUL (cm)

Shelf module: Front view (fixed shelf)



Front view FURNITURE PLUS SHELF MODULE





WWW.MAESTREBANOS.COM

Polígono Industrial Cabezuelo 2
13440, Argamasilla de Calatrava (Ciudad Real)
926 44 25 24
maestrebamos@maestrebamos.com



La marca de la
gestión forestal
responsable