

Technical Data

# PARÍS



maestre

BAÑOS



## AVAILABLE MODELS



## FRONT AND STRUCTURE FINISHES



## TECHNICAL SPECIFICATIONS

**Structure:** Made of 16 mm particle board with anthracite interior.

**Front:** Made of 19mm MDF board.

**Handles:** Finger pull milled into the front.

### Mounting:

**\*Wall- hung:** Includes 2 metal hangers for horizontal and vertical regulation.

**\*Floor- standing:** Include 1 bag of 4 legs and screws. The finish of the legs is the same as the unit structure.

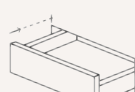
## FEATURES



Organizer drawer



Adjustable drawer



Soft close



Hettich guides



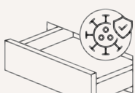
Cleaning robot easy access



Anthracite interior



Fingerprint-resistant lacquer



Antibacterial lacquer



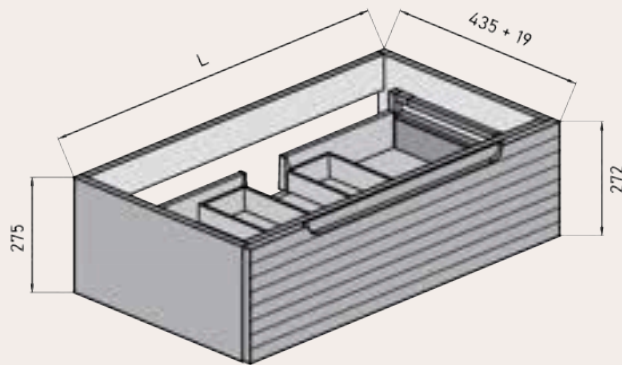
Finger pull



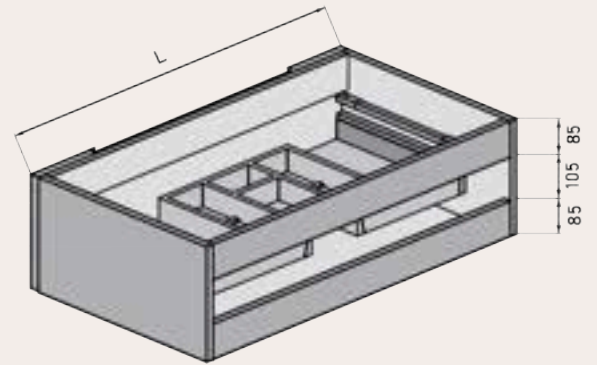
Quality guarantee

AVAILABLE MEASUREMENTS FOR FURNITURE OF 1 DRAWER (cm)

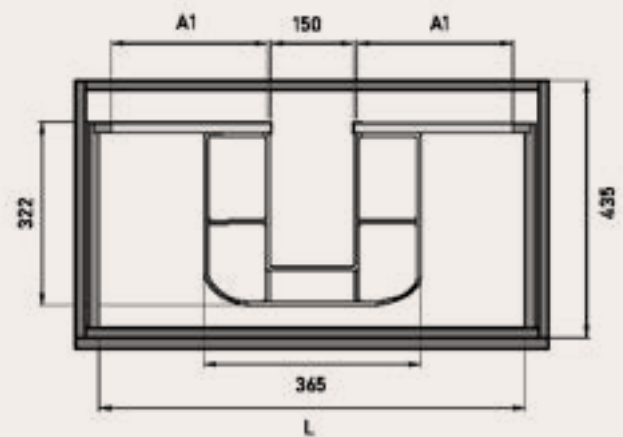
Front view



Back view



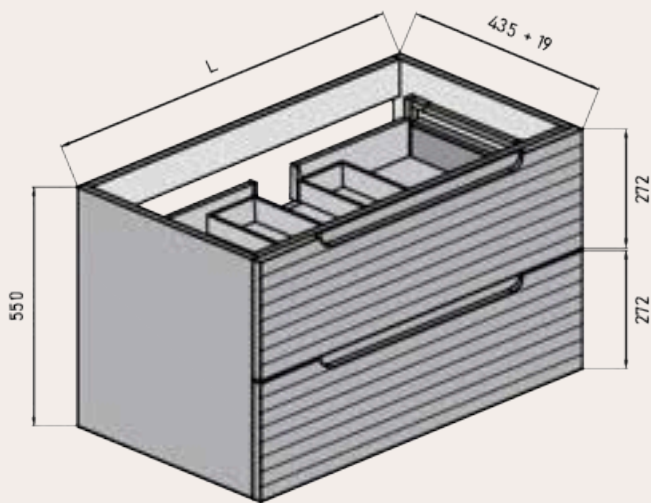
Upper drawer



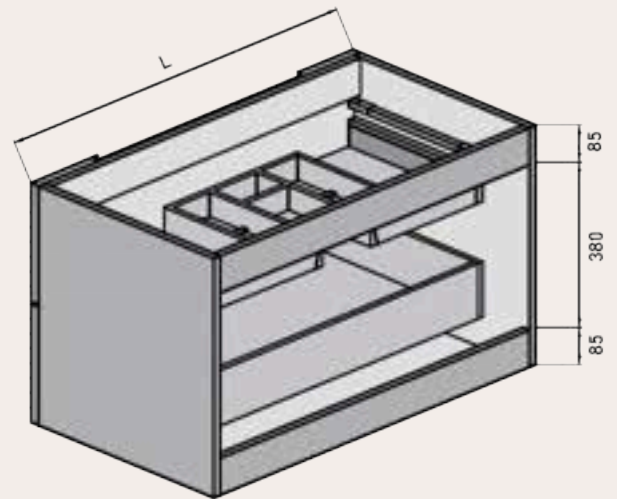
WIDTH	L	A1
UNIT 60	491	165
UNIT 80	591	265
UNIT 100	891	365

AVAILABLE MEASUREMENTS FOR FURNITURE OF 2 DRAWERS (cm)

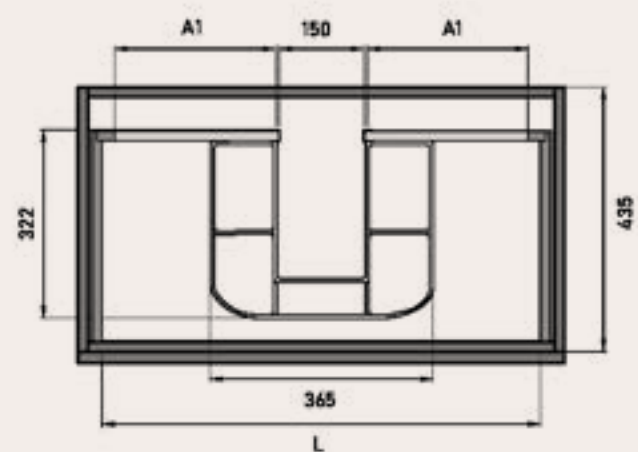
Front view



Back view



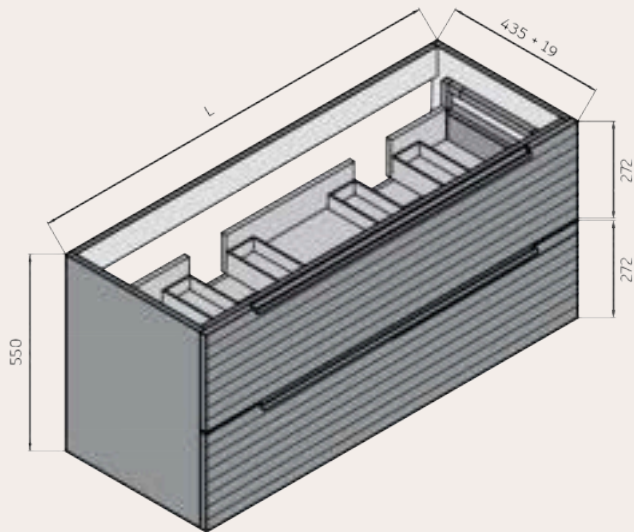
Upper drawer



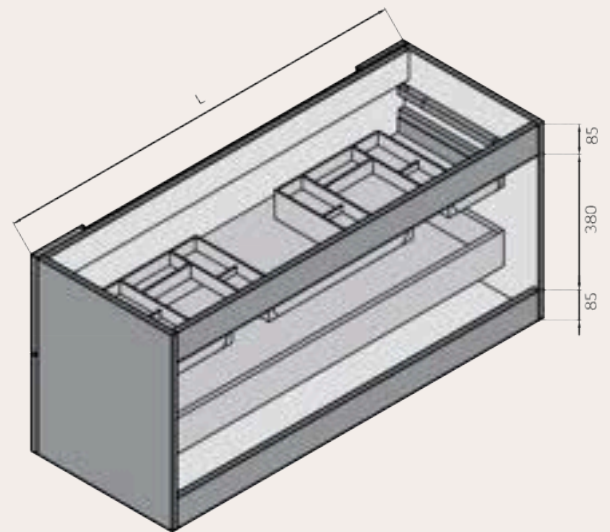
	WIDTH	L	A1
UNIT 60	60	491	165
UNIT 70	70	591	215
UNIT 80	80	691	265
UNIT 100	100	891	365
UNIT 120	120	991	465

AVAILABLE MEASUREMENTS FOR FURNITURE OF 2 DRAWERS AND 2 SINKS (cm)

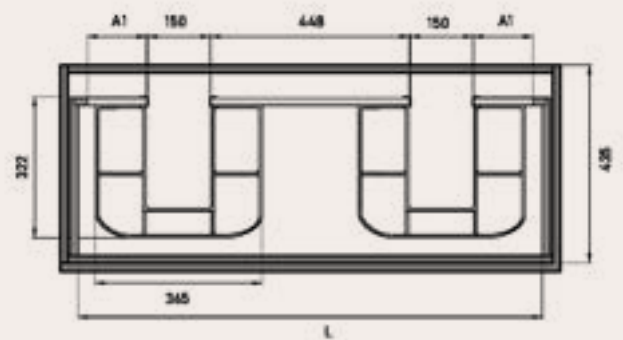
Front view



Back view



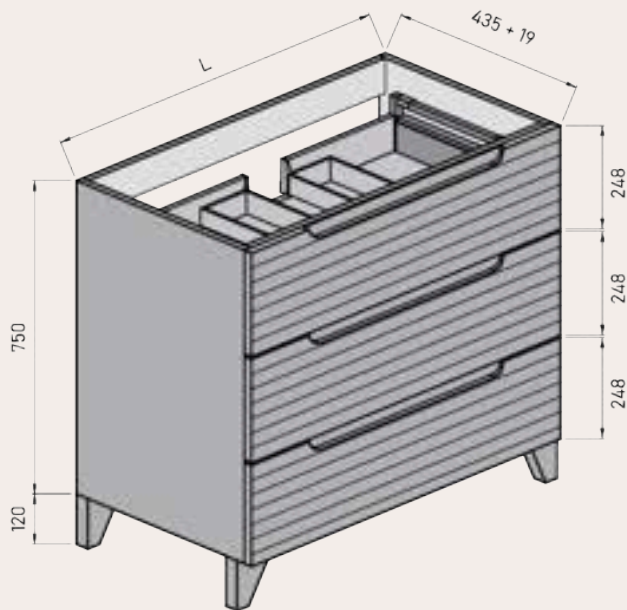
Upper drawer



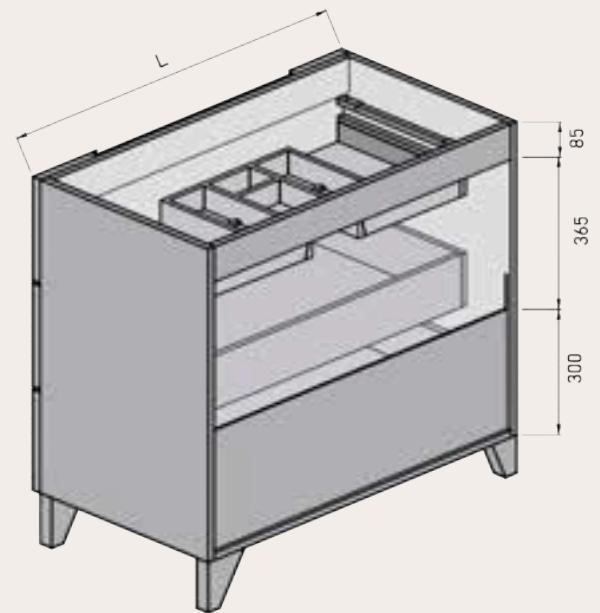
	WIDTH	L	A1
UNIT	120	991	125
TWIN BOWL			

AVAILABLE MEASUREMENTS FOR FURNITURE OF 3 DRAWERS (cm)

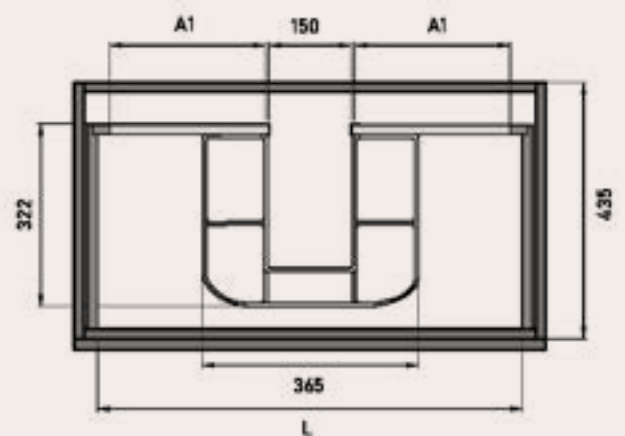
Front view



Back view



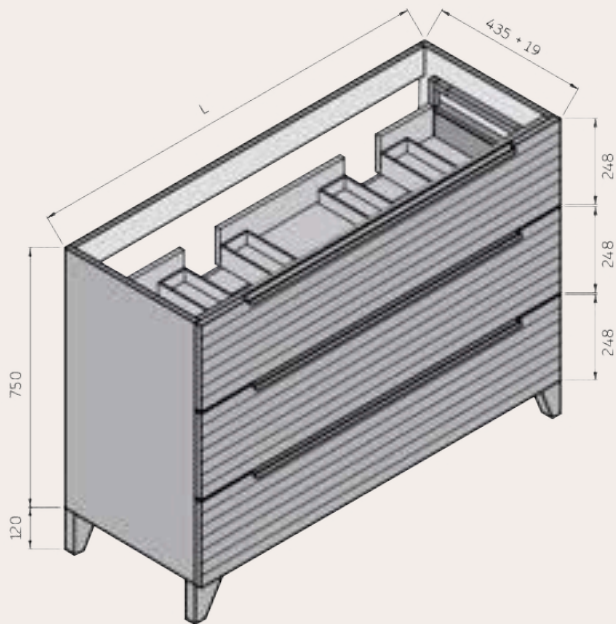
Upper drawer



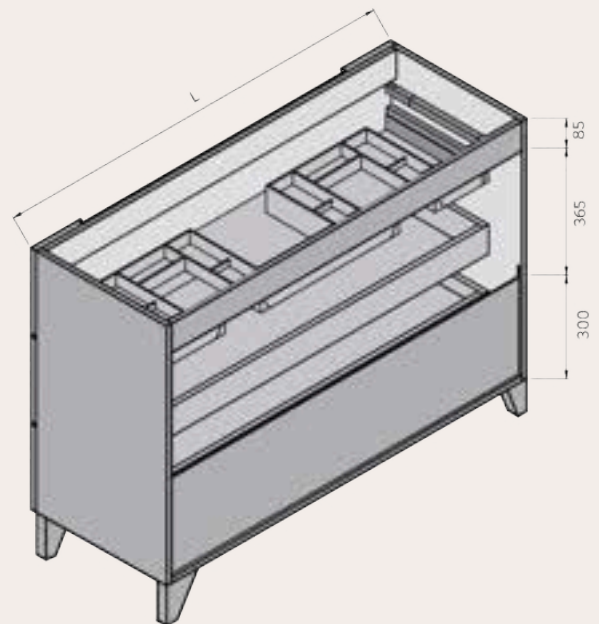
	WIDTH	L	A1
UNIT	60	491	165
UNIT	70	591	215
UNIT	80	691	265
UNIT	100	891	365
UNIT	120	991	465

AVAILABLE MEASUREMENTS FOR FURNITURE OF 3 DRAWERS AND 2 SINKS (Cm)

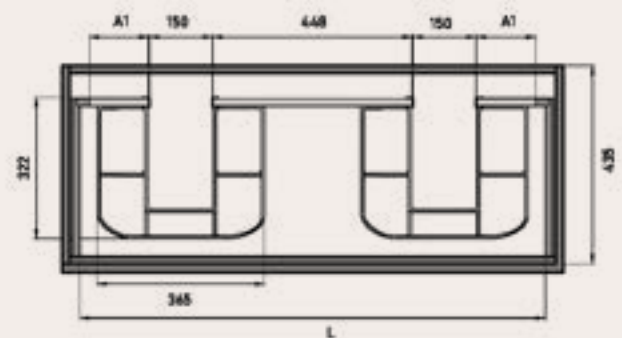
Front view



Back view



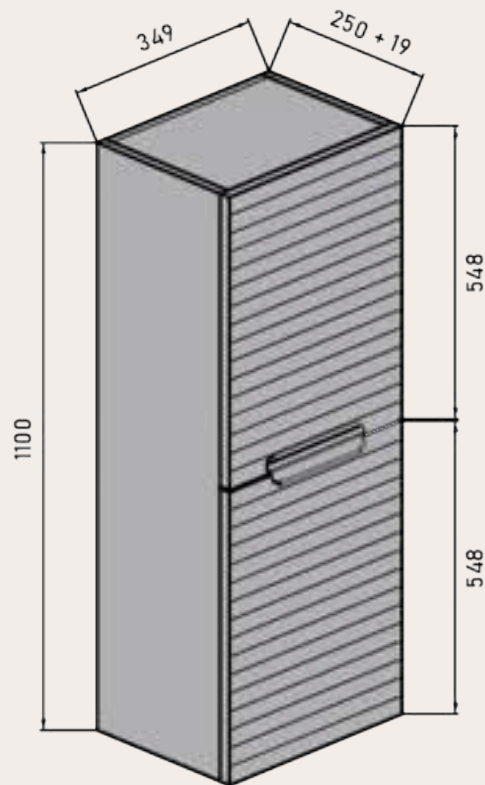
Upper drawer



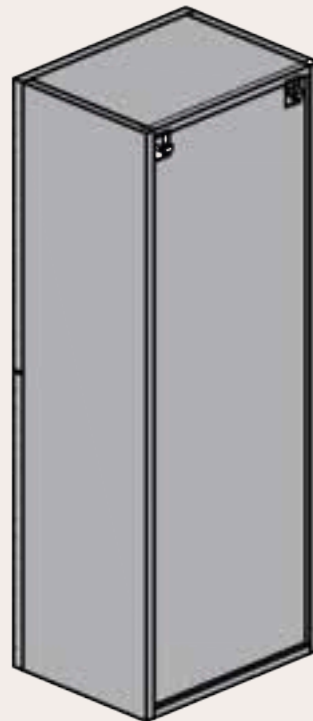
	WIDHT	L	A1
UNIT	120	991	125
TWIN BOWL			

AVAILABLE MEASUREMENTS FOR SEMI-COLUMN (cm)

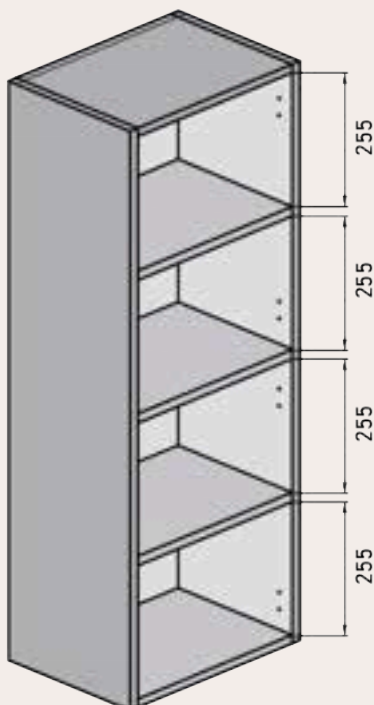
Front view



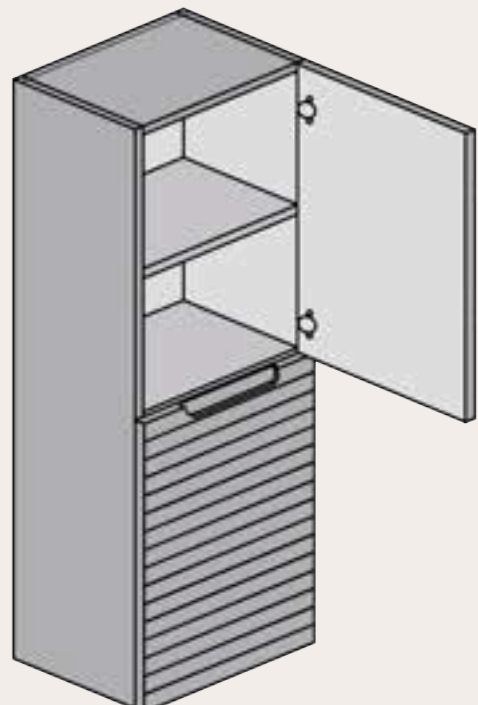
Back view



Front view (fixed shelves)



Front view (interior)



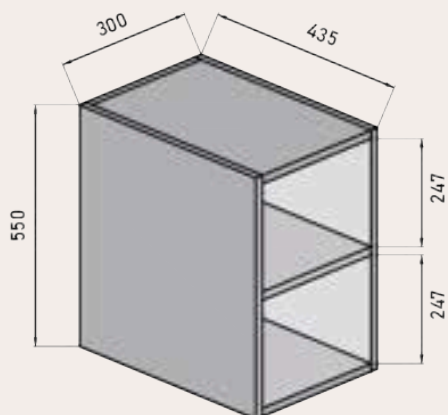


AVAILABLE MEASUREMENTS FOR MODUL (cm)

---

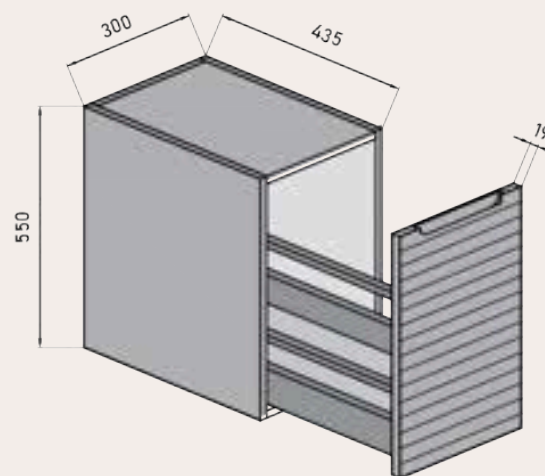
Shelf module: **Front view (fixed shelf)**

---



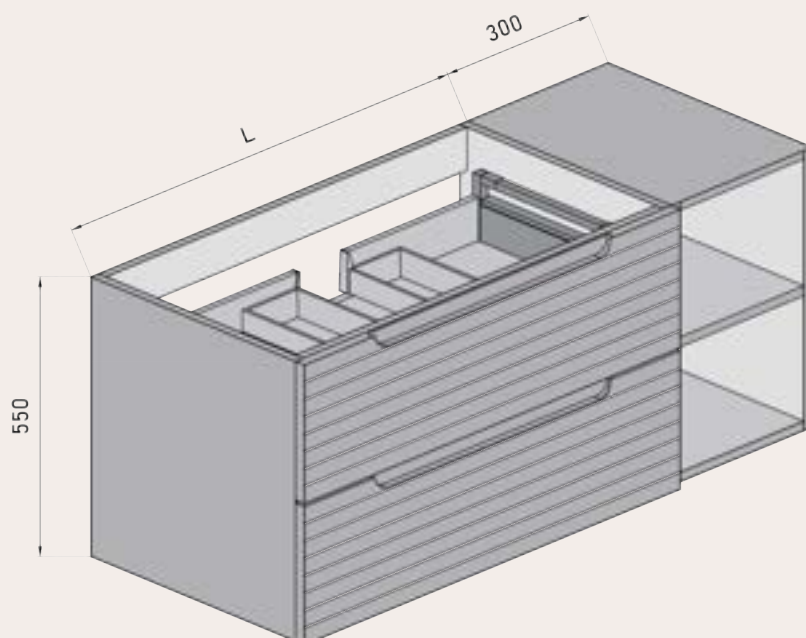
Pull - out drawer module: **Front view**

---



Front view FURNITURE PLUS SHELF MODULE

---





WWW.MAESTREBANOS.COM

Polígono Industrial Cabezuelo 2  
13440, Argamasilla de Calatrava (Ciudad Real)  
926 44 25 24  
maestrebamos@maestrebamos.com



La marca de la  
gestión forestal  
responsable