

Technical Data

# APOLO



maestre

BAÑOS



## AVAILABLE MODELS

60-70-80-100-120



60-70-80-100-120



35



30



## FRONT AND STRUCTURE FINISHES



DESERT



CONGO

## TECHNICAL SPECIFICATIONS

nyö a ý òµ S™ µ âÂ Û Û í™ òµ Ò™ ò™ ò™  
?™ Û™ Ò™ Ò™ Ç™ Û™ Ò™ Ò™ Ò™ Ò™ Ò™ Ç™ Ò™

### Mounting:

\*Wall- hung: Includes 2 metal hangers for horizontal and vertical regulation.

\*Floor- standing: Include 1 bag of 4 matte graphite legs and screws.

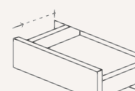
## FEATURES



Organizer drawer



Adjustable drawer



Soft close



Hettich guides



Cleaning robot easy access



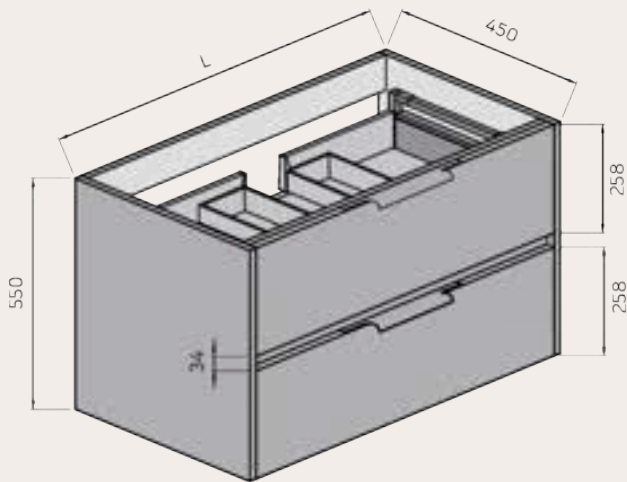
Handle



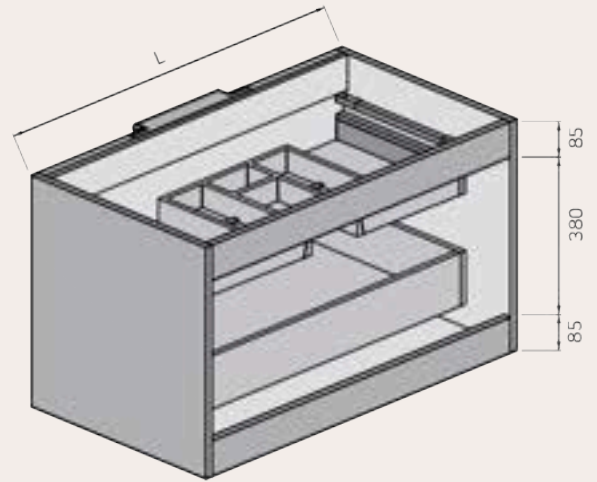
Quality guarantee

AVAILABLE MEASUREMENTS FOR FURNITURE OF 2 DRAWERS (cm)

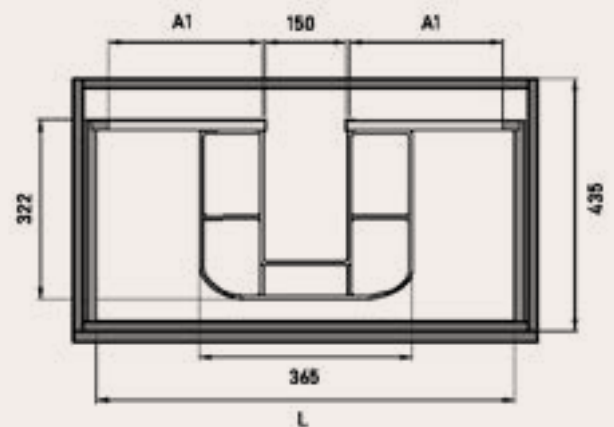
Front view



Back view



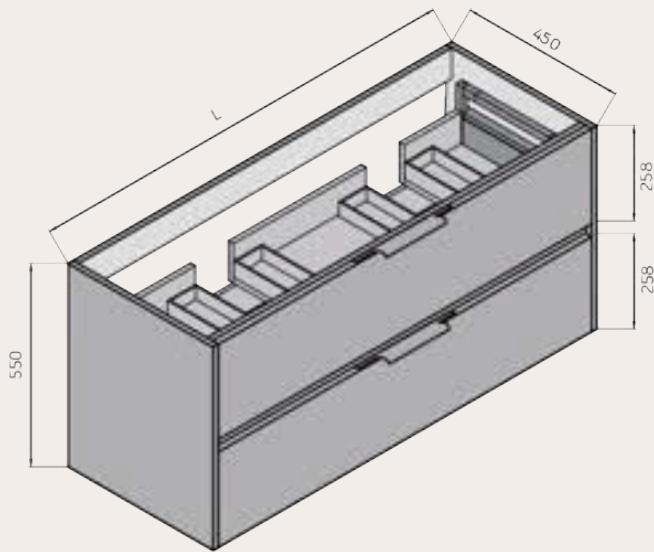
Upper drawer



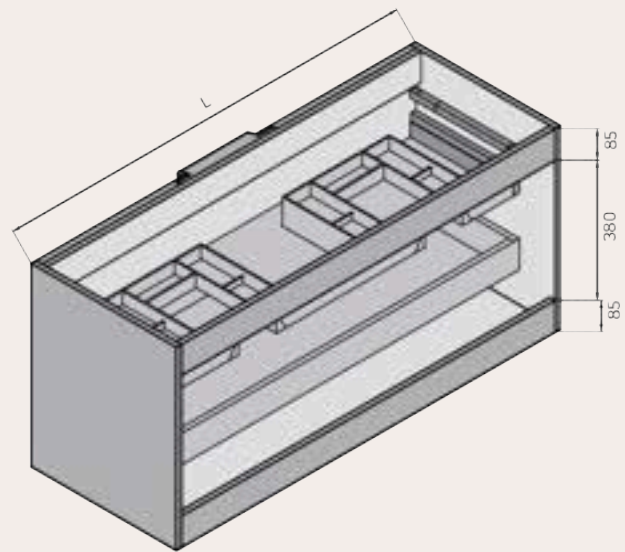
	WIDTH	L	A1
UNIT 60	60	491	165
UNIT 70	70	591	215
UNIT 80	80	691	265
UNIT 100	100	891	365
UNIT 120	120	991	465

AVAILABLE MEASUREMENTS FOR FURNITURE OF 2 DRAWERS AND 2 SINKS (cm)

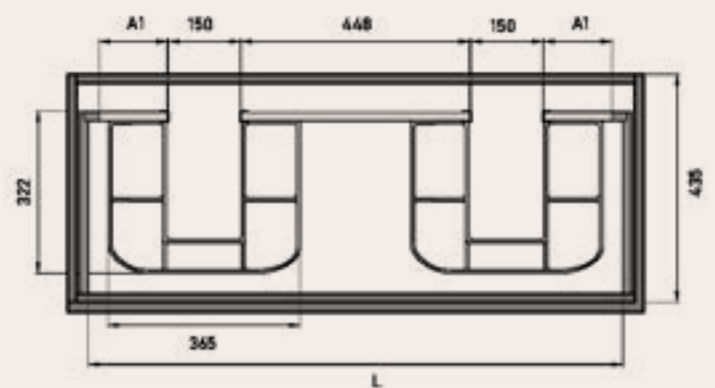
Front view



Back view



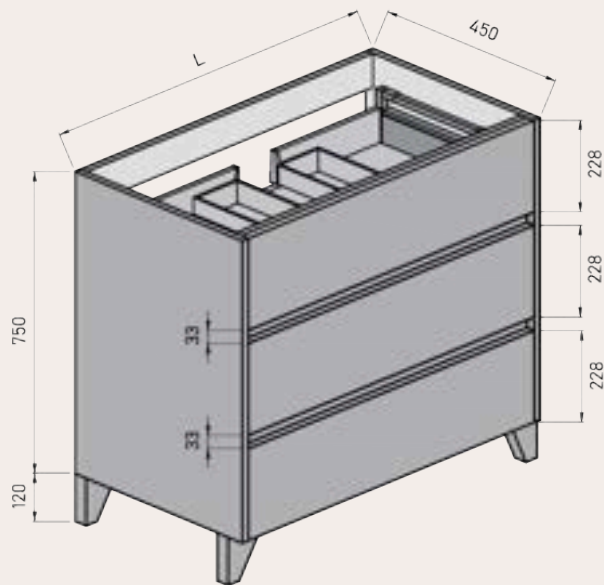
Upper drawer



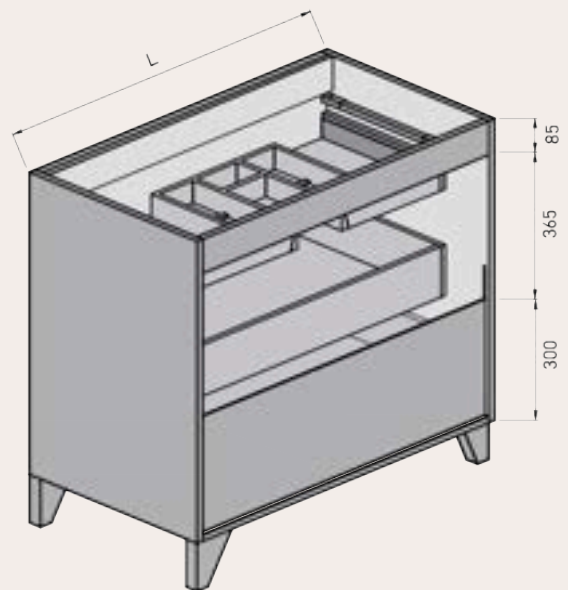
	WIDTH	L	A1
UNIT	120	991	125
TWIN BOWL			

AVAILABLE MEASUREMENTS FOR FURNITURE OF 3 DRAWERS (cm)

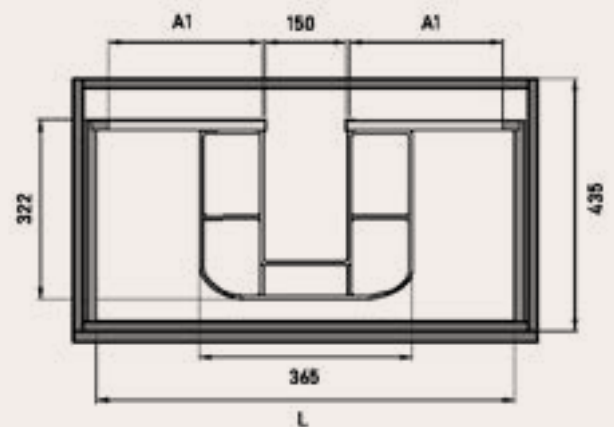
Front view



Back view



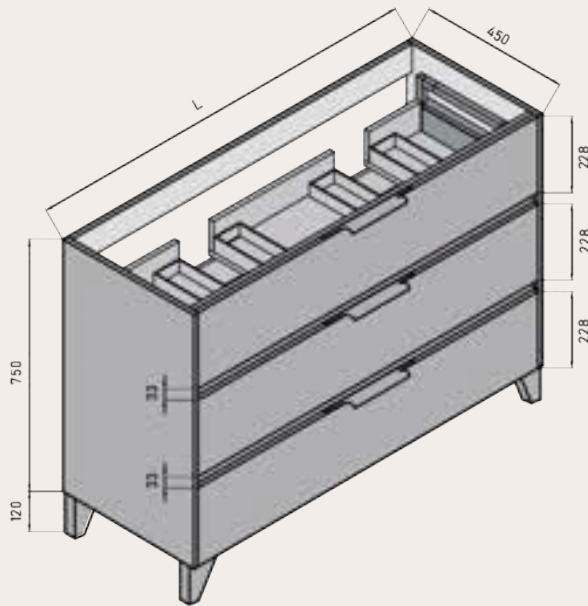
Upper drawer



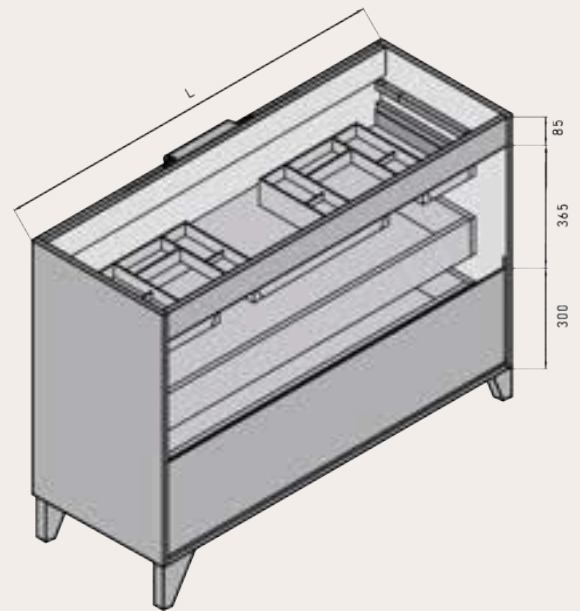
	WIDTH	L	A1
UNIT 60	60	491	165
UNIT 70	70	591	215
UNIT 80	80	691	265
UNIT 100	100	891	370
UNIT 120	120	991	465

AVAILABLE MEASUREMENTS FOR FURNITURE OF 3 DRAWERS AND 2 SINKS (Cm)

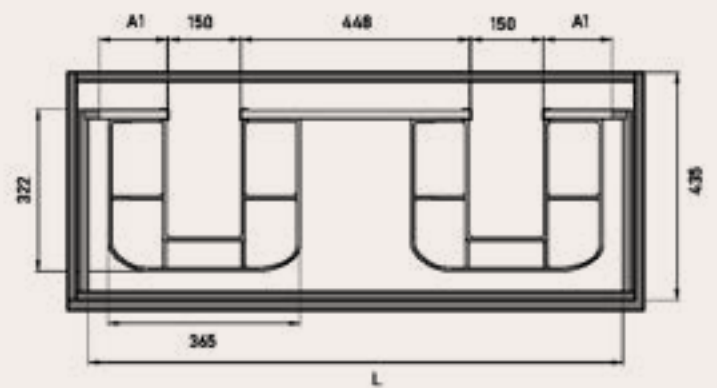
Front view



Back view



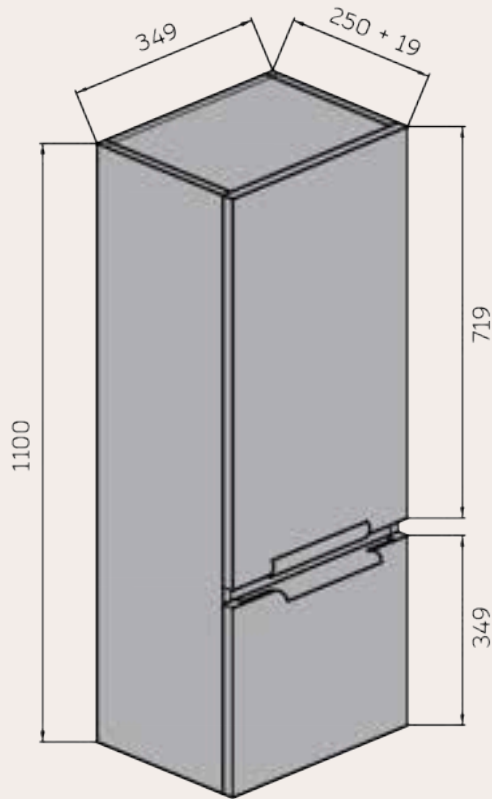
Upper drawer



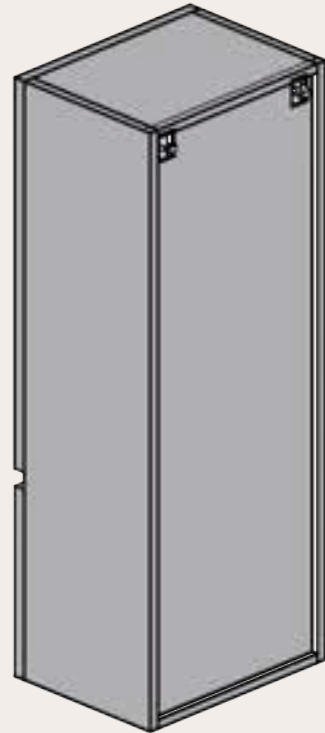
	WIDHT	L	A1
UNIT	120	991	125
TWIN BOWL			

AVAILABLE MEASUREMENTS FOR SEMI-COLUMN (cm)

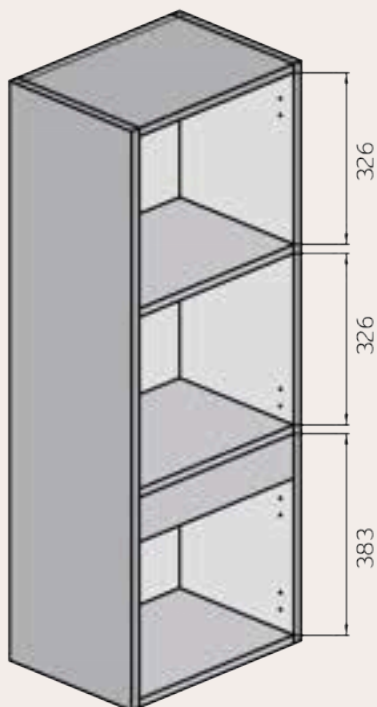
Front view



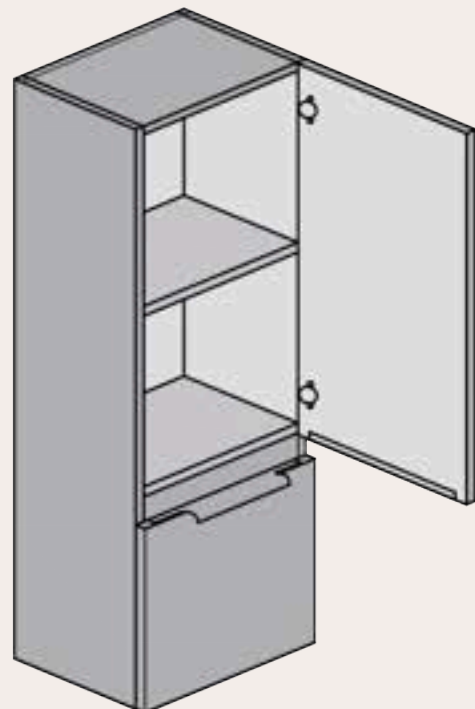
Back view



Front view (fixed shelves)



Front view (interior)

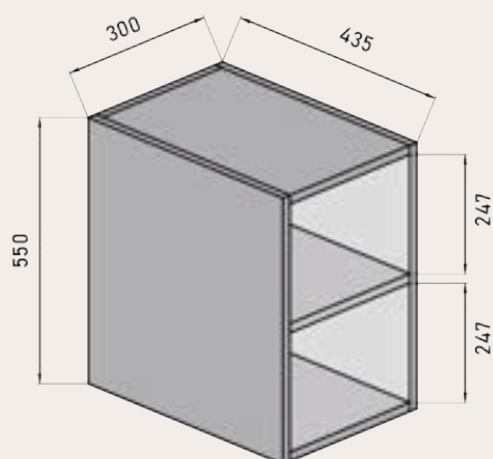


## AVAILABLE MEASUREMENTS FOR MODUL (cm)

---

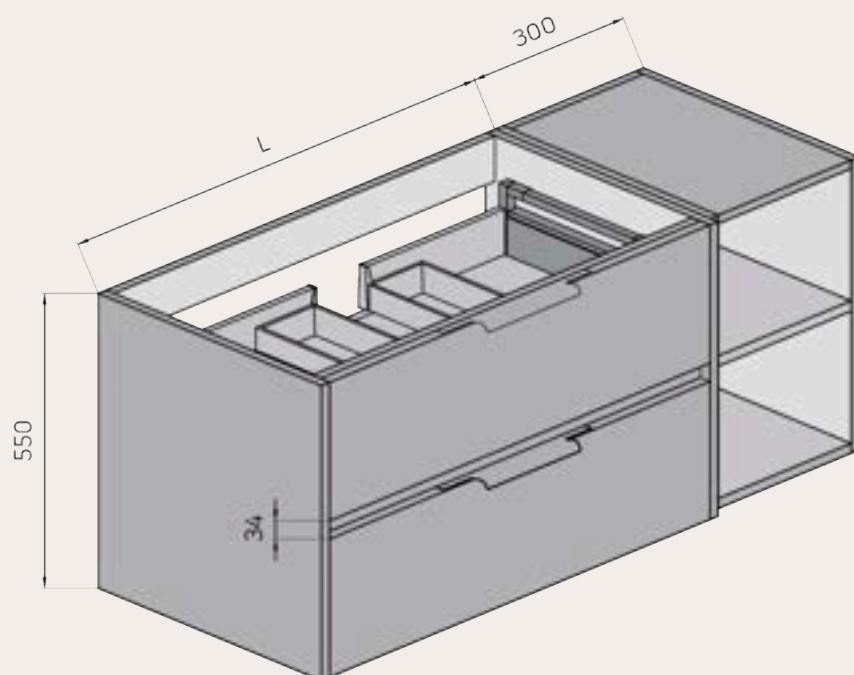
### Shelf module: Front view (fixed shelf)

---



### Front view FURNITURE PLUS SHELF MODULE

---







WWW.MAESTREBANOS.COM

Polígono Industrial Cabezuelo 2  
13440, Argamasilla de Calatrava (Ciudad Real)  
926 44 25 24  
maestrebamos@maestrebamos.com



La marca de la  
gestión forestal  
responsable